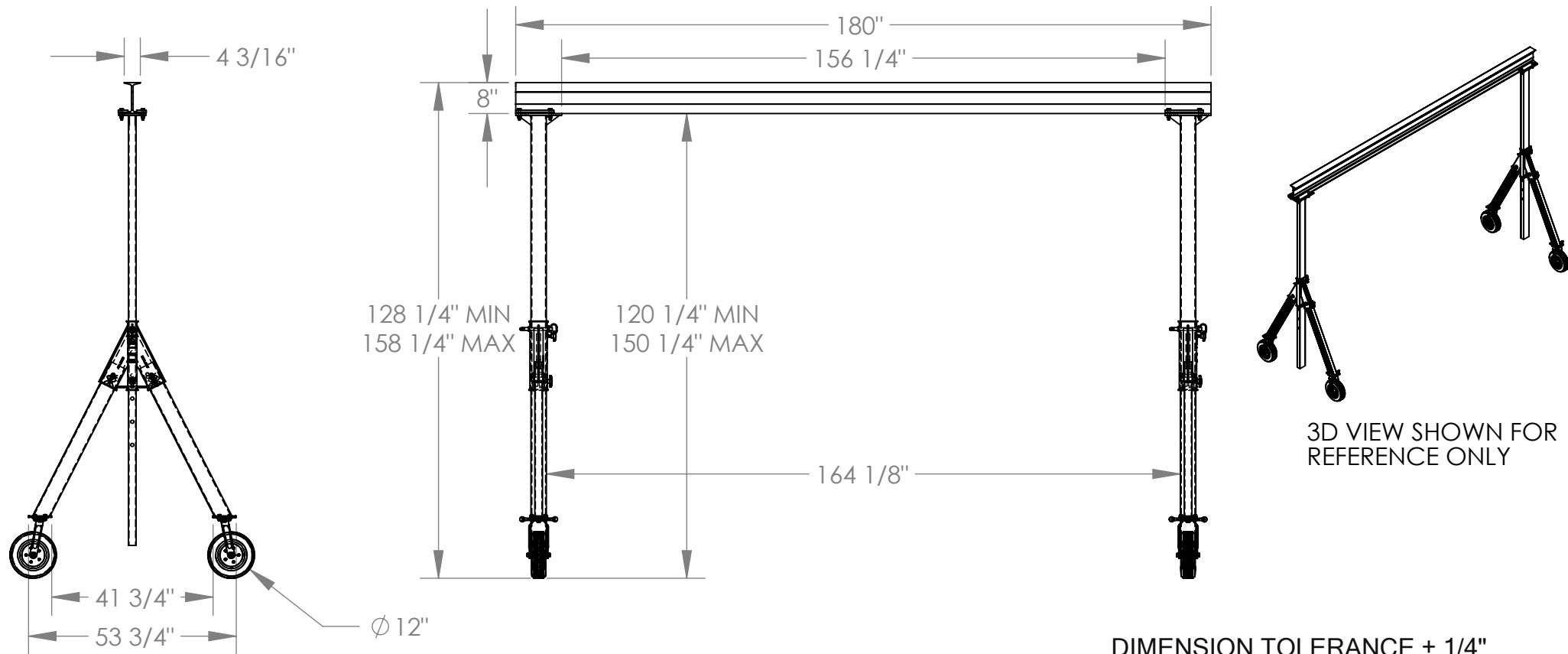


ADJUSTABLE ALUMINUM GANTRY CRANE -AHA-15-15-12-PNU

APPROX WEIGHT: 368 lbs.
 DOES NOT INCLUDE WEIGHT OF POWER OR PACKAGING!!!

*** ANY ADDITIONS, DELETIONS, OR OMISSIONS MUST BE CORRECTED ON THIS DRAWING AS THIS DRAWING WILL BE CONSIDERED ALL INCLUSIVE ***
 ALL GRAPHICS PROVIDED ARE FOR REFERENCE ONLY. IF CERTAIN DIMENSIONS ARE CRITICAL PLEASE VERIFY THOSE DIMENSIONS WITH YOUR SALESPERSON



STANDARD FEATURES

MODEL NUMBER IS AHA-15-15-12-PNU
 CAPACITY IS 1,500 LBS.
 BASE WIDTH IS 53 3/4"
 MAX OVERALL HEIGHT IS 158 1/4"
 I-BEAM HEIGHT IS 8"
 I-BEAM FLANGE WIDTH IS 4 3/16"
 OVERALL I-BEAM LENGTH IS 180"
 USABLE I-BEAM LENGTH IS 156 1/4"
 ADJUSTABLE UNDER I-BEAM HEIGHT
 120 1/4" MIN
 150 1/4" MAX
 HEIGHT IS ADJUSTABLE IN 6" INCREMENTS
 CASTERS: (4) Ø12" X 3 1/2" WIDE
 PNEUMATIC SWIVEL CASTERS WITH
 FOUR LOCKING POSITIONS

SPECIAL FEATURES

NONE

DIMENSION TOLERANCE ± 1/4"

I, THE UNDERSIGNED, AGREE THAT THE PRODUCT AS REPRESENTED SATISFIES DESIGN AND DIMENSION REQUIREMENTS. I ALSO ACKNOWLEDGE MY DUTY TO CONFIRM PRODUCT AND INSTALLATION COMPLIANCE WITH ALL APPLICABLE FEDERAL, STATE AND LOCAL REGULATIONS AND STANDARDS.

ANY MODIFIED UNITS ARE NON-RETURNABLE

[] As drawn [] As marked

Signed: _____ Date: _____

Printed Name: _____

LEAD TIME WILL START UPON RECEIPT OF SIGNED APPROVAL DRAWING

APPROVAL

FOR INTERNAL USE ONLY PROJECT SIGN OFF	
SALES	
ENG.	
FAB.	
POWER	

DISTRIBUTOR'S NAME:		P.O.#
VESTIL MANUFACTURING		X
DRAWN BY: ND		W.O.#
DATE: 07/11/13		X
REFERENCE: X	SCALE: 1:38	SALES: X
QUOTED LEAD TIME: X	QUOTE #	FILE NAME:
	X	28-007-296