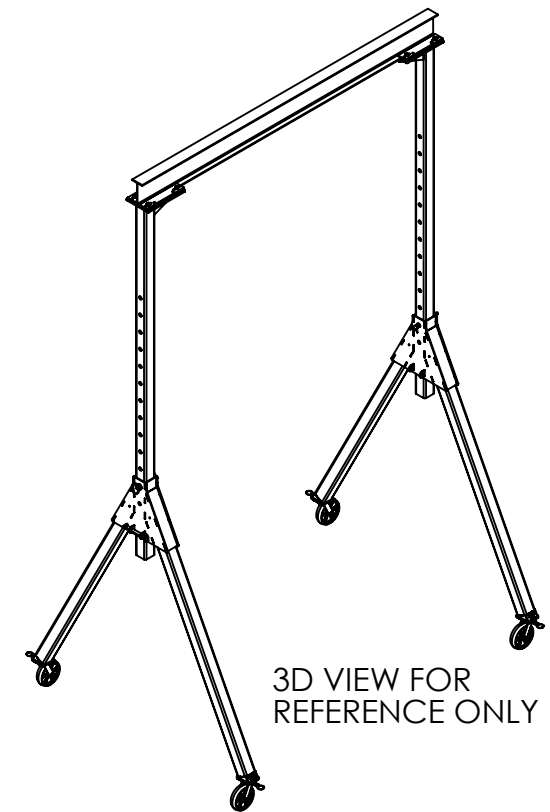
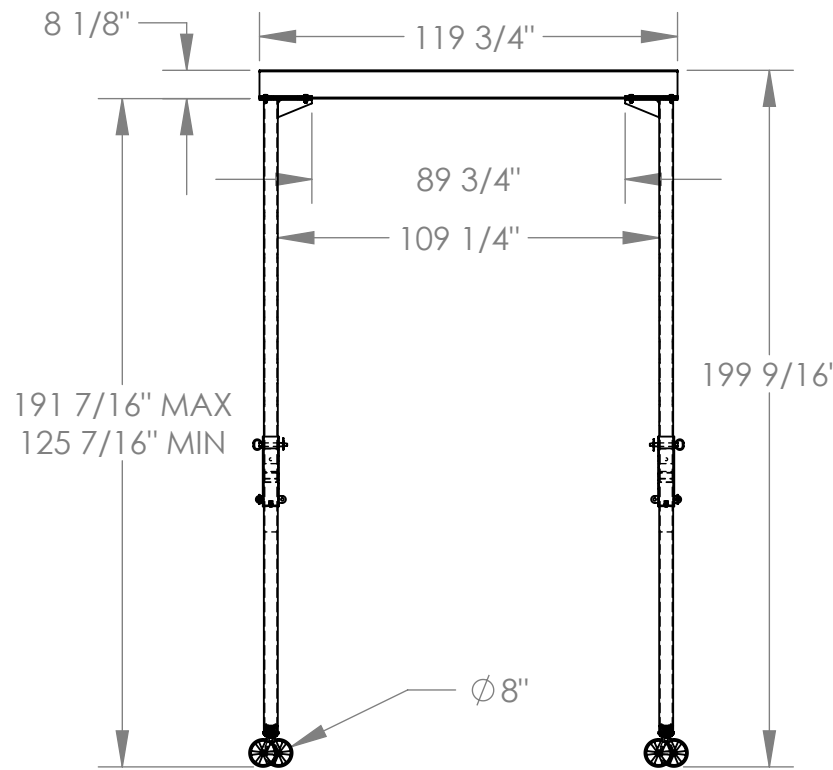
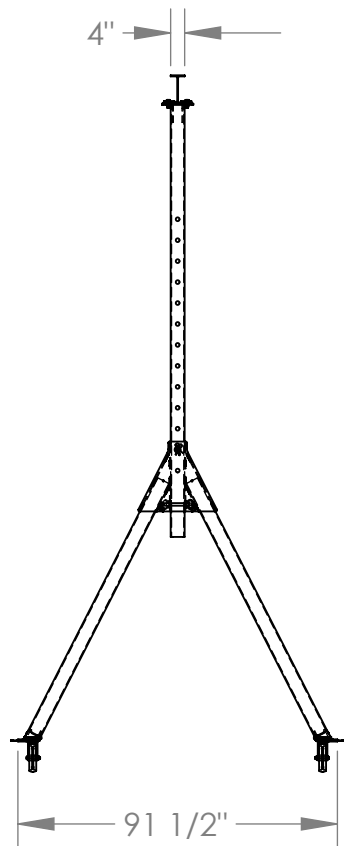


ADJUSTABLE STEEL GANTRY CRANE - KNOCKDOWN - AHSN-4-10-16

APPROX WEIGHT: 1000.35 lbs.
 DOES NOT INCLUDE WEIGHT OF POWER OR PACKAGING!!!

*** ANY ADDITIONS, DELETIONS, OR OMISSIONS MUST BE CORRECTED ON THIS DRAWING AS THIS DRAWING WILL BE CONSIDERED ALL INCLUSIVE ***

ALL GRAPHICS PROVIDED ARE FOR REFERENCE ONLY. IF CERTAIN DIMENSIONS ARE CRITICAL PLEASE VERIFY THOSE DIMENSIONS WITH YOUR SALESPERSON



3D VIEW FOR REFERENCE ONLY

STANDARD FEATURES

MODEL NUMBER IS AHSN-4-10-16
 CAPACITY IS 4,000 LBS.
 BASE WIDTH IS 91 1/2"
 MAX OVERALL HEIGHT IS 199 9/16"
 I-BEAM HEIGHT IS 8 1/8"
 I-BEAM FLANGE WIDTH IS 4"
 OVERALL I-BEAM LENGTH IS 119 3/4"
 USABLE I-BEAM LENGTH IS 89 3/4"
 ADJUSTABLE UNDER I-BEAM HEIGHT

191 7/16" MAX

125 7/16" MIN

HEIGHT IS ADJUSTABLE IN 6" INCREMENTS
 CASTERS: (4) Ø8" X 2" WIDE GLASS FILLED
 NYLON SWIVEL CASTERS WITH FOUR
 LOCKING POSITIONS

SPECIAL FEATURES

NONE

DIMENSION TOLERANCE ± 1/4"

APPROVAL

I, THE UNDERSIGNED, AGREE THAT THE PRODUCT AS REPRESENTED SATISFIES DESIGN AND DIMENSION REQUIREMENTS. I ALSO ACKNOWLEDGE MY DUTY TO CONFIRM PRODUCT AND INSTALLATION COMPLIANCE WITH ALL APPLICABLE FEDERAL, STATE AND LOCAL REGULATIONS AND STANDARDS.

ANY MODIFIED UNITS ARE NON-RETURNABLE

[] As drawn [] As marked

Signed: _____ Date: _____

Printed Name: _____

LEAD TIME WILL START UPON RECEIPT OF SIGNED APPROVAL DRAWING

FOR INTERNAL USE ONLY
 PROJECT SIGN OFF

SALES	
ENG.	
FAB.	
POWER	

DISTRIBUTOR'S NAME:		P.O.#
VESTIL MANUFACTURING		X
DRAWN BY: DLS		W.O.#
DATE: 06/30/14		X
REFERENCE: X	SCALE: 1:55	SALES: X
QUOTED LEAD TIME: X	QUOTE #	FILE NAME:
	X	28-007-312