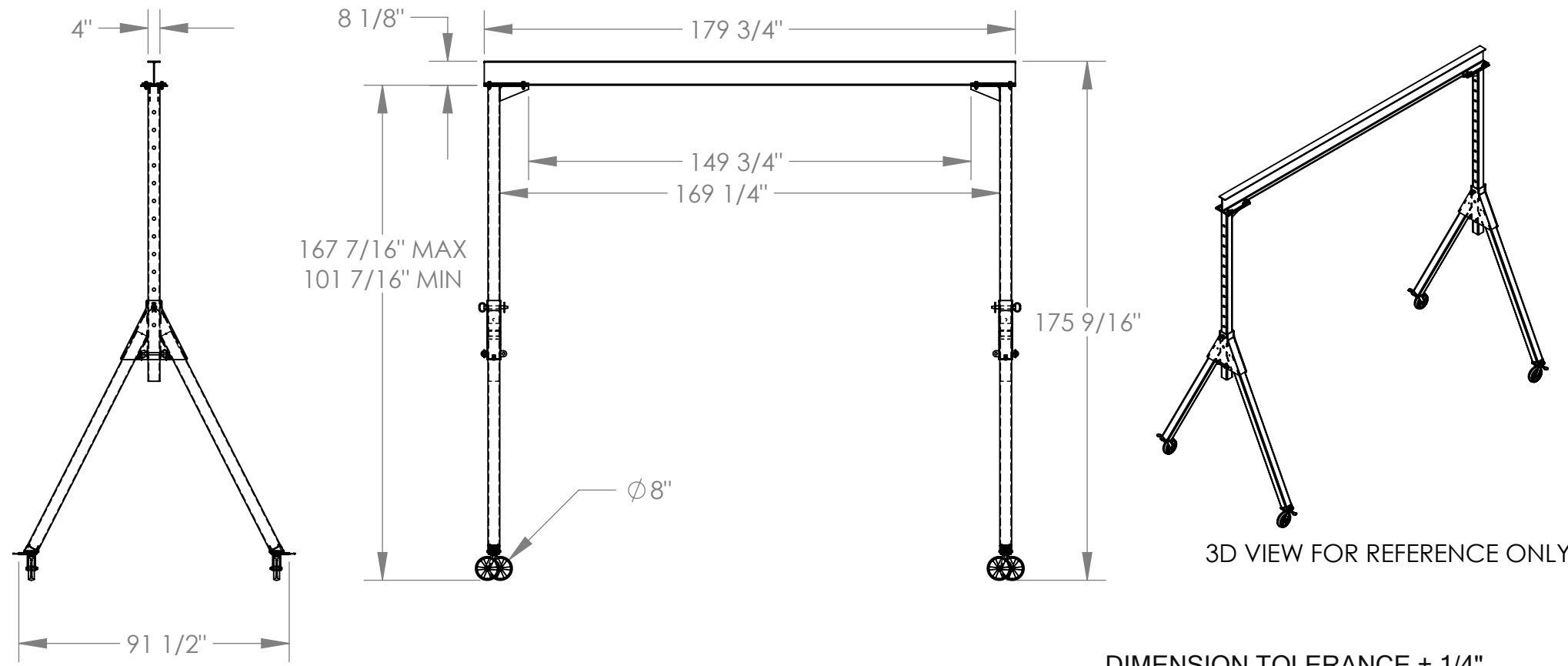


ADJUSTABLE STEEL GANTRY CRANE - KNOCKDOWN - AHSN-4-15-14

APPROX WEIGHT: 1027.35 lbs.
DOES NOT INCLUDE WEIGHT OF POWER OR PACKAGING!!!

*** ANY ADDITIONS, DELETIONS, OR OMISSIONS MUST BE CORRECTED ON THIS DRAWING AS THIS DRAWING WILL BE CONSIDERED ALL INCLUSIVE ***
ALL GRAPHICS PROVIDED ARE FOR REFERENCE ONLY. IF CERTAIN DIMENSIONS ARE CRITICAL PLEASE VERIFY THOSE DIMENSIONS WITH YOUR SALESPERSON



STANDARD FEATURES

MODEL NUMBER IS AHSN-4-15-14
CAPACITY IS 4,000 LBS.
BASE WIDTH IS 91 1/2"
MAX OVERALL HEIGHT IS 175 9/16"
I-BEAM HEIGHT IS 8 1/8"
I-BEAM FLANGE WIDTH IS 4"
OVERALL I-BEAM LENGTH IS 179 3/4"
USABLE I-BEAM LENGTH IS 149 3/4"
ADJUSTABLE UNDER I-BEAM HEIGHT
167 7/16" MAX
101 7/16" MIN
HEIGHT IS ADJUSTABLE IN 6" INCREMENTS
CASTERS: (4) Ø8" X 2" WIDE GLASS FILLED
NYLON SWIVEL CASTERS WITH FOUR
LOCKING POSITIONS

SPECIAL FEATURES

NONE

DIMENSION TOLERANCE ± 1/4"

I, THE UNDERSIGNED, AGREE THAT THE PRODUCT AS REPRESENTED SATISFIES DESIGN AND DIMENSION REQUIREMENTS. I ALSO ACKNOWLEDGE MY DUTY TO CONFIRM PRODUCT AND INSTALLATION COMPLIANCE WITH ALL APPLICABLE FEDERAL, STATE AND LOCAL REGULATIONS AND STANDARDS.

ANY MODIFIED UNITS ARE NON-RETURNABLE

[] As drawn [] As marked

Signed: _____ Date: _____

Printed Name: _____

LEAD TIME WILL START UPON RECEIPT OF SIGNED APPROVAL DRAWING

DISTRIBUTOR'S NAME:		P.O.#
VESTIL MANUFACTURING		X
DRAWN BY: DLS		DATE: 06/30/14
REFERENCE: X		SCALE: 1:50
QUOTED LEAD TIME: X		QUOTE # X
		FILE NAME: 28-007-317

FOR INTERNAL USE ONLY PROJECT SIGN OFF	
SALES	
ENG.	
FAB.	
POWER	