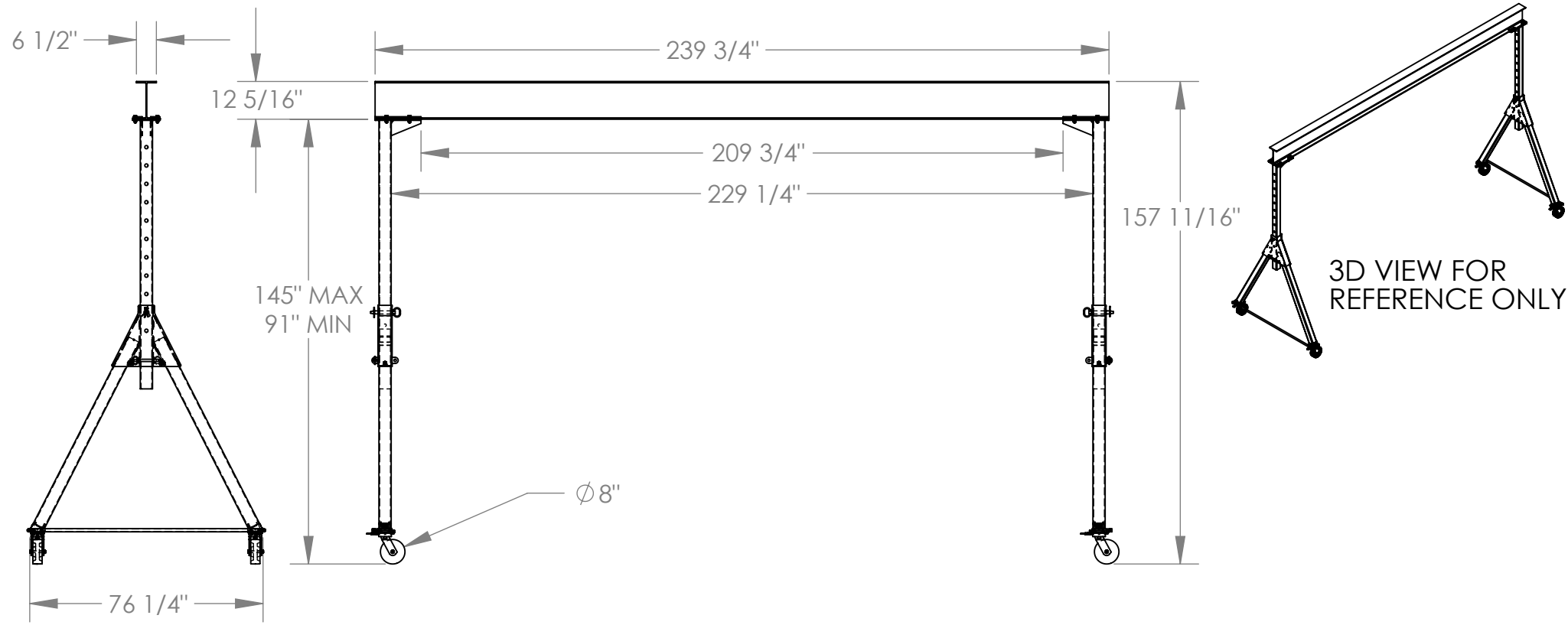


ADJUSTABLE STEEL GANTRY CRANE - KNOCKDOWN - AHSN-6-20-12

APPROX WEIGHT: 1355.62 lbs.
 DOES NOT INCLUDE WEIGHT OF POWER OR PACKAGING!!!

*** ANY ADDITIONS, DELETIONS, OR OMISSIONS MUST BE CORRECTED ON THIS DRAWING AS THIS DRAWING WILL BE CONSIDERED ALL INCLUSIVE ***
 ALL GRAPHICS PROVIDED ARE FOR REFERENCE ONLY. IF CERTAIN DIMENSIONS ARE CRITICAL PLEASE VERIFY THOSE DIMENSIONS WITH YOUR SALESPERSON



STANDARD FEATURES

MODEL NUMBER IS AHSN-6-20-12
 CAPACITY IS 6,000 LBS.
 BASE WIDTH IS $76 \frac{1}{4}$ "
 MAX OVERALL HEIGHT IS $157 \frac{11}{16}$ "
 I-BEAM HEIGHT IS $12 \frac{5}{16}$ "
 I-BEAM FLANGE WIDTH IS $6 \frac{1}{2}$ "
 OVERALL I-BEAM LENGTH IS $239 \frac{3}{4}$ "
 USABLE I-BEAM LENGTH IS $209 \frac{3}{4}$ "
 ADJUSTABLE UNDER I-BEAM HEIGHT
 145" MAX
 91" MIN
 HEIGHT IS ADJUSTABLE IN 6" INCREMENTS
 CASTERS: (4) $\phi 8"$ X 3" WIDE PHENOLIC
 SWIVEL CASTERS WITH FOUR
 LOCKING POSITIONS

SPECIAL FEATURES

NONE

DIMENSION TOLERANCE $\pm 1/4"$

I, THE UNDERSIGNED, AGREE THAT THE PRODUCT AS REPRESENTED SATISFIES DESIGN AND DIMENSION REQUIREMENTS. I ALSO ACKNOWLEDGE MY DUTY TO CONFIRM PRODUCT AND INSTALLATION COMPLIANCE WITH ALL APPLICABLE FEDERAL, STATE AND LOCAL REGULATIONS AND STANDARDS.

ANY MODIFIED UNITS ARE NON-RETURNABLE

[] As drawn [] As marked

Signed: _____ Date: _____

Printed Name: _____

LEAD TIME WILL START UPON RECEIPT OF SIGNED APPROVAL DRAWING

APPROVAL

FOR INTERNAL USE ONLY PROJECT SIGN OFF	
SALES	
ENG.	
FAB.	
POWER	

DISTRIBUTOR'S NAME:		P.O.#
VESTIL MANUFACTURING		X
W.O.#		X
DRAWN BY:	DLS	DATE:
		07/22/2014
REFERENCE:	X	SCALE:
		1:48
QUOTED LEAD TIME:	X	QUOTE #
		X
FILE NAME:		28-007-331