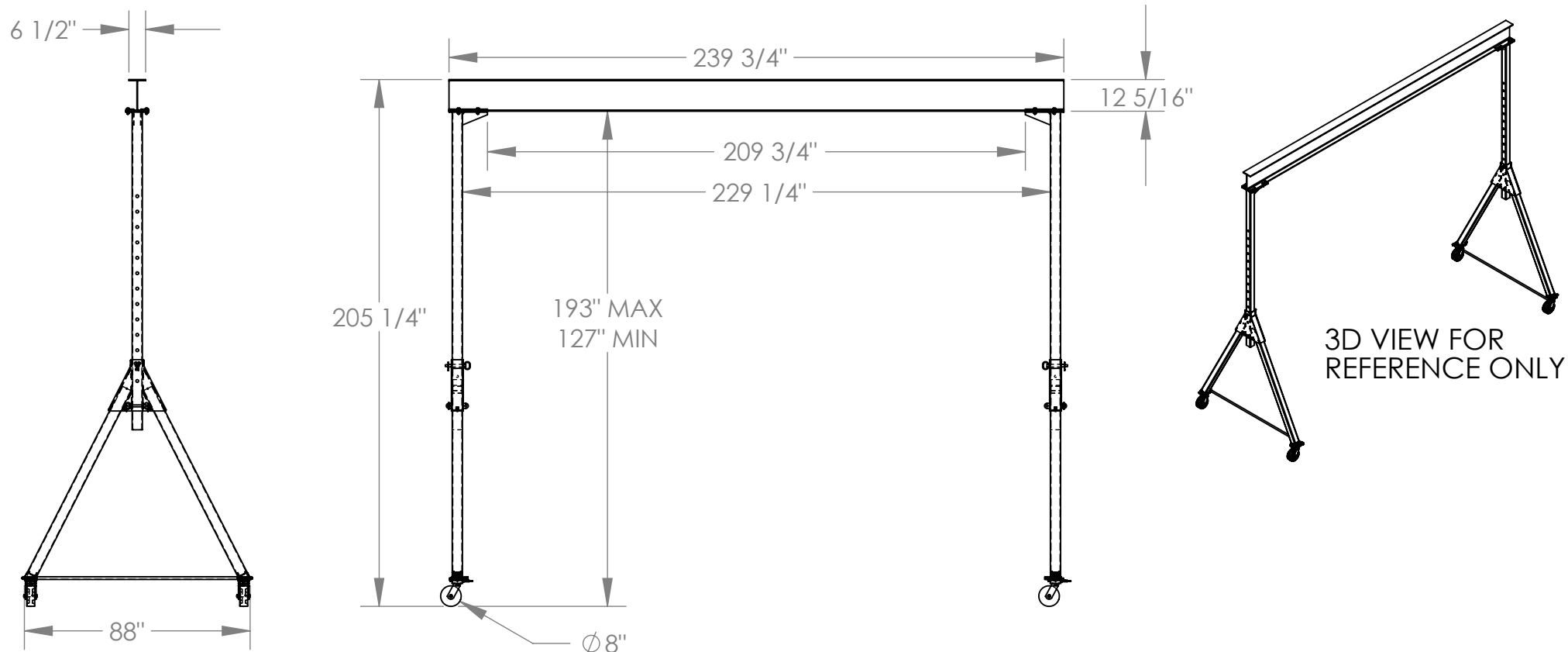


# ADJUSTABLE STEEL GANTRY CRANE - KNOCKDOWN - AHSN-6-20-16

APPROX WEIGHT: 1482.74 lbs.  
 DOES NOT INCLUDE WEIGHT OF POWER OR PACKAGING!!!

\*\*\* ANY ADDITIONS, DELETIONS, OR OMISSIONS MUST BE CORRECTED ON THIS DRAWING AS THIS DRAWING WILL BE CONSIDERED ALL INCLUSIVE \*\*\*

ALL GRAPHICS PROVIDED ARE FOR REFERENCE ONLY. IF CERTAIN DIMENSIONS ARE CRITICAL PLEASE VERIFY THOSE DIMENSIONS WITH YOUR SALESPERSON



## STANDARD FEATURES

- MODEL NUMBER IS AHSN-6-20-16
- CAPACITY IS 6,000 LBS.
- BASE WIDTH IS 88"
- MAX OVERALL HEIGHT IS 205 1/4"
- I-BEAM HEIGHT IS 12 5/16"
- I-BEAM FLANGE WIDTH IS 6 1/2"
- OVERALL I-BEAM LENGTH IS 239 3/4"
- USABLE I-BEAM LENGTH IS 209 3/4"
- ADJUSTABLE UNDER I-BEAM HEIGHT
  - 193" MAX
  - 127" MIN
- HEIGHT IS ADJUSTABLE IN 6" INCREMENTS
- CASTERS: (4) Ø8" X 3" WIDE PHENOLIC SWIVEL CASTERS WITH FOUR LOCKING POSITIONS

## SPECIAL FEATURES

NONE

DIMENSION TOLERANCE ± 1/4"

APPROVAL

I, THE UNDERSIGNED, AGREE THAT THE PRODUCT AS REPRESENTED SATISFIES DESIGN AND DIMENSION REQUIREMENTS. I ALSO ACKNOWLEDGE MY DUTY TO CONFIRM PRODUCT AND INSTALLATION COMPLIANCE WITH ALL APPLICABLE FEDERAL, STATE AND LOCAL REGULATIONS AND STANDARDS.

**ANY MODIFIED UNITS ARE NON-RETURNABLE**

As drawn       As marked

Signed: \_\_\_\_\_ Date: \_\_\_\_\_

Printed Name: \_\_\_\_\_

LEAD TIME WILL START UPON RECEIPT OF SIGNED APPROVAL DRAWING

FOR INTERNAL USE ONLY PROJECT SIGN OFF	
SALES	
ENG.	
FAB.	
POWER	

DISTRIBUTOR'S NAME:		P.O.#
VESTIL MANUFACTURING		X
DRAWN BY: DLS	DATE: 07/22/2014	W.O.#
REFERENCE: X	SCALE: 1:58	X
QUOTED LEAD TIME: X	QUOTE #	FILE NAME:
	X	28-007-333