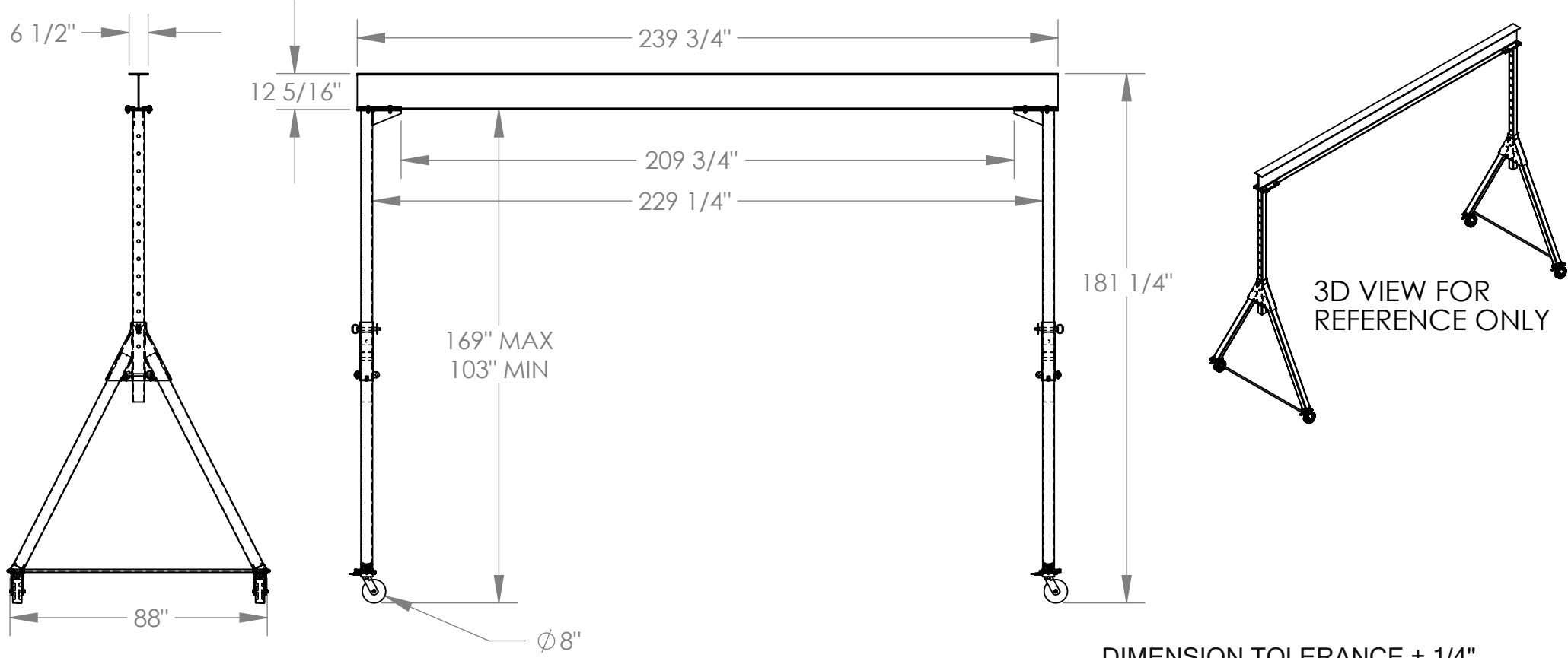


ADJUSTABLE STEEL GANTRY CRANE - KNOCKDOWN - AHSN-8-20-14

APPROX WEIGHT: 1434.20 lbs.
 DOES NOT INCLUDE WEIGHT OF POWER OR PACKAGING!!!

*** ANY ADDITIONS, DELETIONS, OR OMISSIONS MUST BE CORRECTED ON THIS DRAWING AS THIS DRAWING WILL BE CONSIDERED ALL INCLUSIVE ***
 ALL GRAPHICS PROVIDED ARE FOR REFERENCE ONLY. IF CERTAIN DIMENSIONS ARE CRITICAL PLEASE VERIFY THOSE DIMENSIONS WITH YOUR SALESPERSON



STANDARD FEATURES
 MODEL NUMBER IS AHSN-8-20-14
 CAPACITY IS 8,000 LBS.
 BASE WIDTH IS 88"
 MAX OVERALL HEIGHT IS 181 1/4"
 I-BEAM HEIGHT IS 12 5/16"
 I-BEAM FLANGE WIDTH IS 6 1/2"
 OVERALL I-BEAM LENGTH IS 239 3/4"
 USABLE I-BEAM LENGTH IS 209 3/4"
 ADJUSTABLE UNDER I-BEAM HEIGHT
 169" MAX
 103" MIN
 HEIGHT IS ADJUSTABLE IN 6" INCREMENTS
 CASTERS: (4) Ø8" X 3" WIDE PHENOLIC
 SWIVEL CASTERS WITH FOUR
 LOCKING POSITIONS

SPECIAL FEATURES
 NONE

DIMENSION TOLERANCE ± 1/4"

APPROVAL

I, THE UNDERSIGNED, AGREE THAT THE PRODUCT AS REPRESENTED SATISFIES DESIGN AND DIMENSION REQUIREMENTS. I ALSO ACKNOWLEDGE MY DUTY TO CONFIRM PRODUCT AND INSTALLATION COMPLIANCE WITH ALL APPLICABLE FEDERAL, STATE AND LOCAL REGULATIONS AND STANDARDS.

ANY MODIFIED UNITS ARE NON-RETURNABLE
 As drawn As marked

Signed: _____ Date: _____

Printed Name: _____

LEAD TIME WILL START UPON RECEIPT OF SIGNED APPROVAL DRAWING

FOR INTERNAL USE ONLY PROJECT SIGN OFF	
SALES	
ENG.	
FAB.	
POWER	

DISTRIBUTOR'S NAME:		P.O.#
VESTIL MANUFACTURING		X
DRAWN BY: DLS		DATE: 06/30/2014
REFERENCE: X		SCALE: 1:50
QUOTED LEAD TIME: X		QUOTE # X
		FILE NAME: 28-007-344