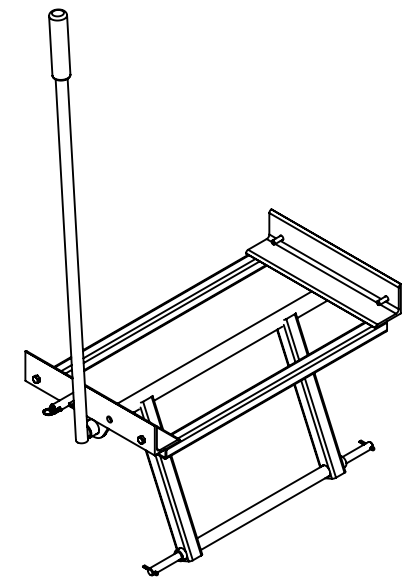
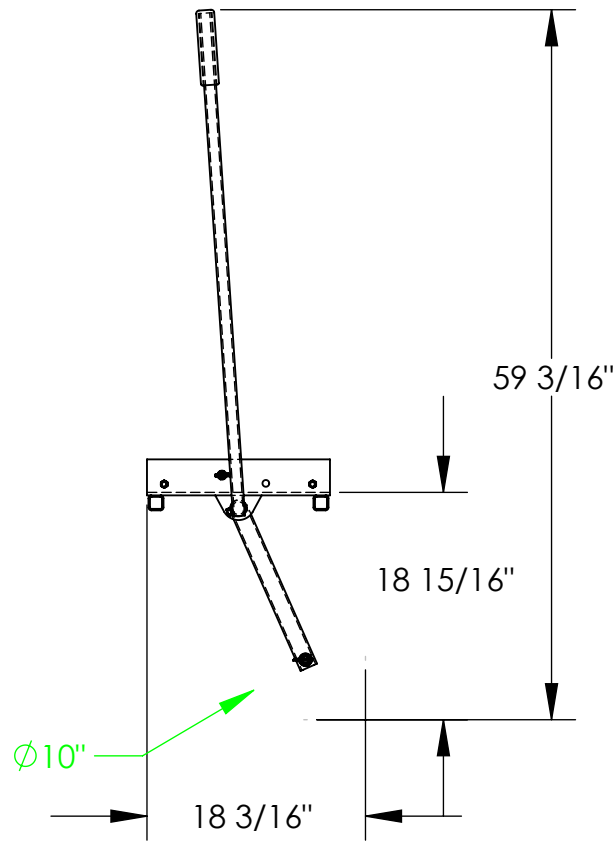
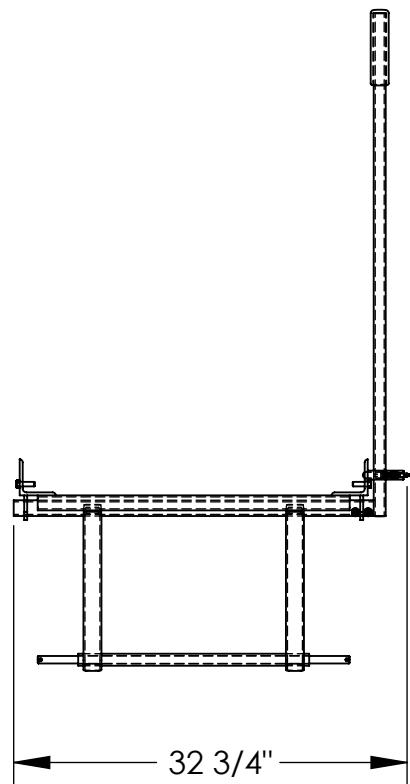


ALUMINUM WALK RAMP CART AWR-R-CART-28



* 3D VIEW SHOWN FOR REFERENCE ONLY *

STANDARD FEATURES

MODEL NUMBER: AWR-CART
 OVERALL WIDTH: 32 3/4"
 OVERALL LENGTH: 18 3/16"
 OVERALL HEIGHT: 59 3/16"
 USES 10" x 2 1/2" HARD RUBBER WHEELS

ALL SPECIAL UNITS ARE NON-RETURNABLE

APPROVAL

I, the undersigned, hereby approve this print.
 This includes my approval of design & dimensions

[] As drawn [] As marked

Signed: _____ Date: _____

LEAD TIME WILL START UPON RECEIPT OF SIGNED APPROVAL DRAWING

SPECIAL FEATURES

NONE

DISTRIBUTOR'S NAME: VESTIL MANUFACTURING			P.O.# X
DRAWN BY: KY	DATE: 7/15/05	SCALE: 1:16	W.O.# X
REFERENCE: X	QUOTE # X	FILE NAME: 18-007-108	SALES: X