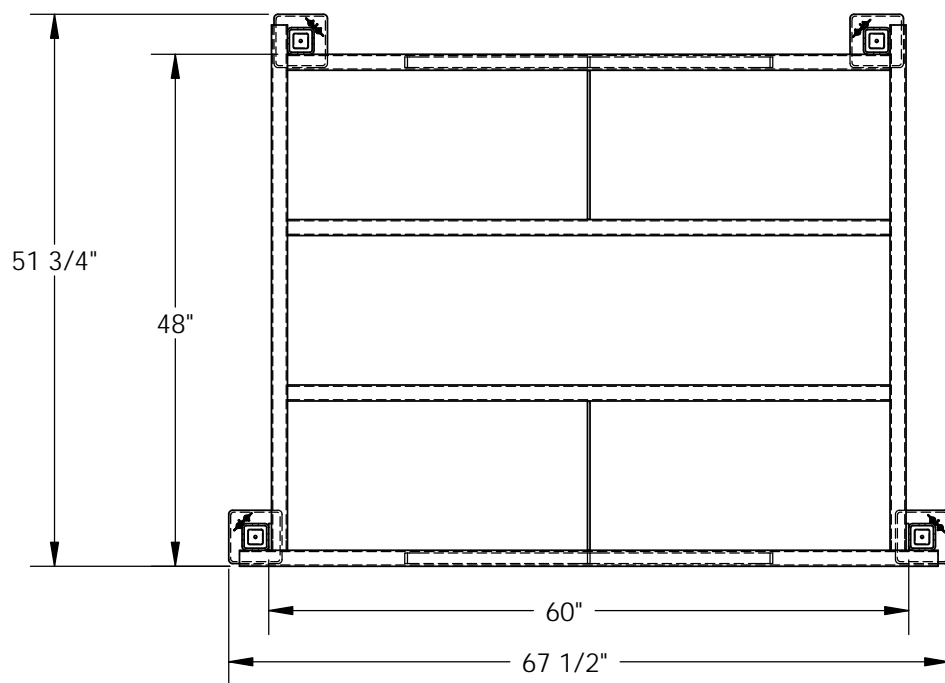


INTERNESTABLE RACK BASE - BASE-6048

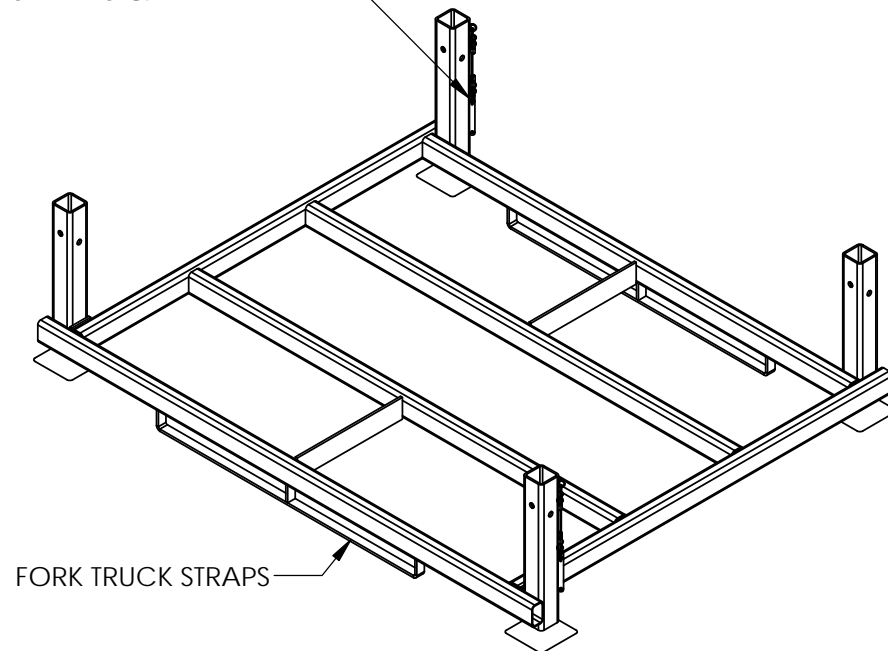
APPROX WEIGHT: 127.72 lbs.
DOES NOT INCLUDE WEIGHT OF POWER OR PACKAGING!!!

*** ANY ADDITIONS, DELETIONS, OR OMISSIONS MUST BE CORRECTED ON THIS DRAWING AS THIS DRAWING WILL BE CONSIDERED ALL INCLUSIVE ***

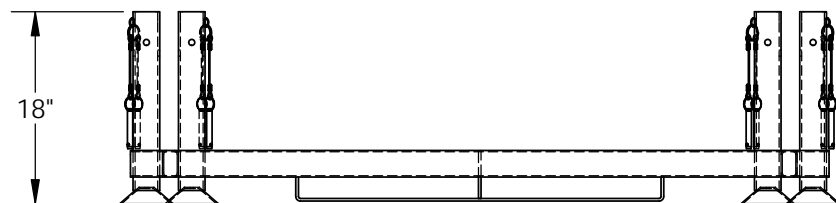
ALL GRAPHICS PROVIDED ARE FOR REFERENCE ONLY. IF CERTAIN DIMENSIONS ARE CRITICAL PLEASE VERIFY THOSE DIMENSIONS WITH YOUR SALESPERSON



SELF LOCKING QUICK
RELEASE PINS & LANYARD



FORK TRUCK STRAPS



DIMENSION TOLERANCE $\pm 1/4"$

STANDARD FEATURES

- MODEL NUMBER IS BASE-6048
- OVERALL WIDTH: 67 1/2"
- USABLE WIDTH: 60"
- OVERALL LENGTH: 51 3/4"
- USABLE LENGTH: 48"
- OVERALL HEIGHT: 18"
- MAX LOADING CAPACITY: 4,000 lbs.
- DOUBLE LOCKING PINS ON ALL 4 CORNERS (INCLUDED)
- TOUGH BAKED IN POWDER COATED ERGO BLUE FINISH

SPECIAL FEATURES

NONE

APPROVAL	I, THE UNDERSIGNED, AGREE THAT THE PRODUCT AS REPRESENTED SATISFIES DESIGN AND DIMENSION REQUIREMENTS. I ALSO ACKNOWLEDGE MY DUTY TO CONFIRM PRODUCT AND INSTALLATION COMPLIANCE WITH ALL APPLICABLE FEDERAL, STATE AND LOCAL REGULATIONS AND STANDARDS.	
	ANY MODIFIED UNITS ARE NON-RETURNABLE	
	[] As drawn [] As marked	
	Signed: _____	Date: _____
Printed Name: _____		
LEAD TIME WILL START UPON RECEIPT OF SIGNED APPROVAL DRAWING		

FOR INTERNAL USE ONLY PROJECT SIGN OFF	
SALES	
ENG.	
FAB.	
POWER	

DISTRIBUTOR'S NAME:		P.O.#
VESTIL MANUFACTURING		X
DRAWN BY:	DATE:	W.O.#
J.R.	2/10/10	X
REFERENCE:	SCALE:	SALES:
X	1:18	X
QUOTED LEAD TIME:	QUOTE #	FILE NAME:
X	X	31-007-115