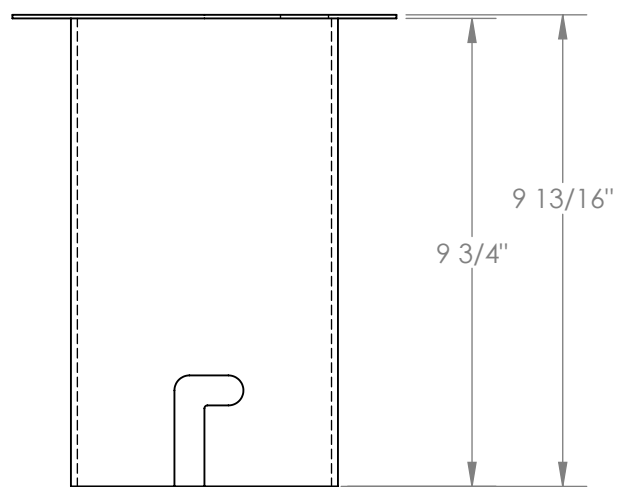
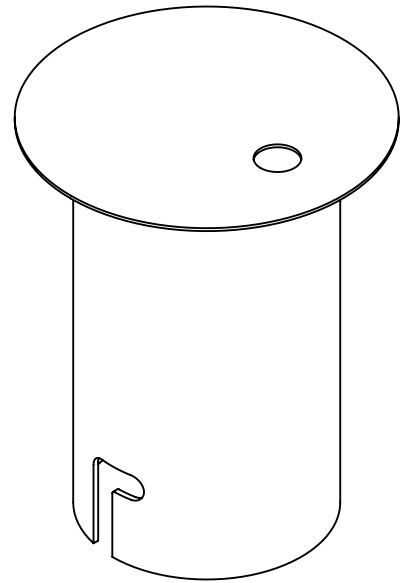
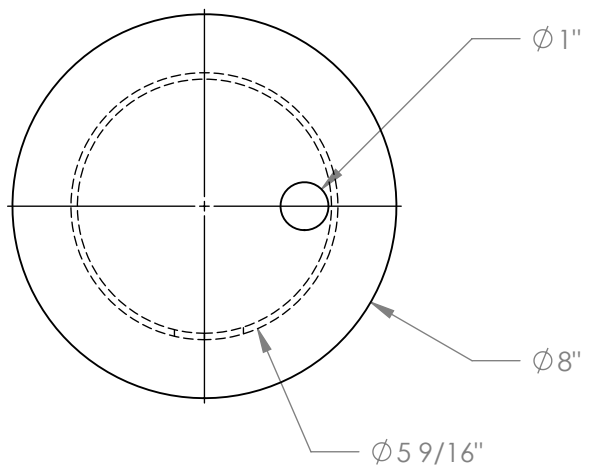


MODEL NAME - BOL-R-SLV-CV

APPROX WEIGHT: 7.30 lbs.
 DOES NOT INCLUDE WEIGHT OF POWER OR PACKAGING!!!

ANY ADDITIONS, DELETIONS, OR OMISSIONS MUST BE CORRECTED ON THIS DRAWING AS THIS DRAWING WILL BE CONSIDERED ALL INCLUSIVE



ALL GRAPHICS PROVIDED ARE FOR REFERENCE ONLY. IF CERTAIN DIMENSIONS ARE CRITICAL PLEASE VERIFY THOSE DIMENSIONS WITH YOUR SALESPERSON

DIMENSION TOLERANCE $\pm 1/4"$

STANDARD FEATURES

- MODEL NUMBER IS BOL-R-SLV-CV
- BOLLARD DIAMETER: $\phi 5 \frac{9}{16}"$
- OVERALL DIAMETER: $\phi 8"$
- USABLE HEIGHT: $9 \frac{3}{4}"$
- OVERALL HEIGHT: $9 \frac{13}{16}"$
- TOUGH BAKED IN POWDER COATED YELLOW FINISH

SPECIAL FEATURES

NONE

APPROVAL	I, THE UNDERSIGNED, AGREE THAT THE PRODUCT AS REPRESENTED SATISFIES DESIGN AND DIMENSION REQUIREMENTS. I ALSO ACKNOWLEDGE MY DUTY TO CONFIRM PRODUCT AND INSTALLATION COMPLIANCE WITH ALL APPLICABLE FEDERAL, STATE AND LOCAL REGULATIONS AND STANDARDS.	
	ANY MODIFIED UNITS ARE NON-RETURNABLE	
	[] As drawn [] As marked	
	Signed: _____ Date: _____	
Printed Name: _____		
LEAD TIME WILL START UPON RECEIPT OF SIGNED APPROVAL DRAWING		

FOR INTERNAL USE ONLY PROJECT SIGN OFF		DISTRIBUTOR'S NAME:		P.O.#	
		VESTIL MANUFACTURING		X	
SALES		DRAWN BY: S. ROSE		DATE: 04/16/2010	W.O.#
ENG.		REFERENCE: X		SCALE: 1:4	X
FAB.		QUOTED LEAD TIME: X		QUOTE #	FILE NAME:
POWER				X	23-007-397