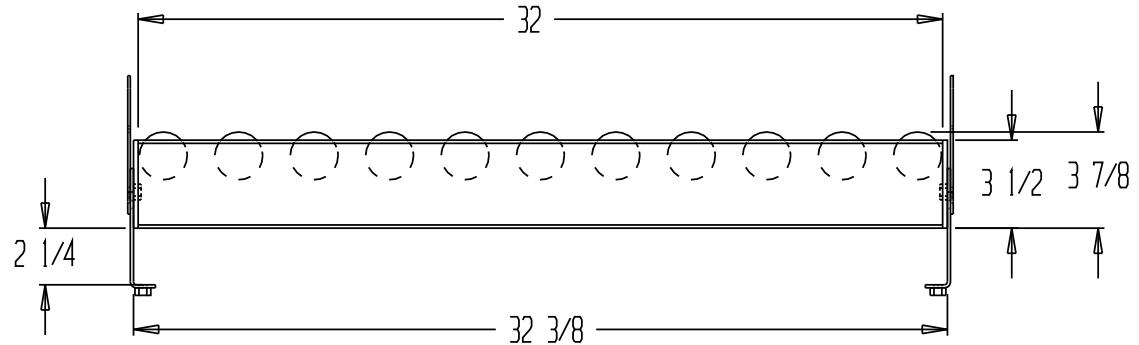
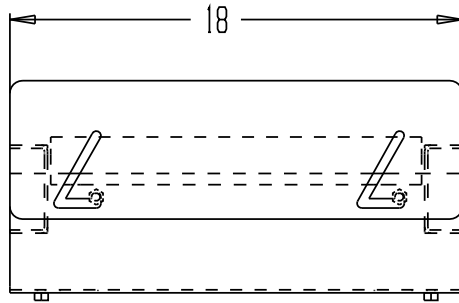


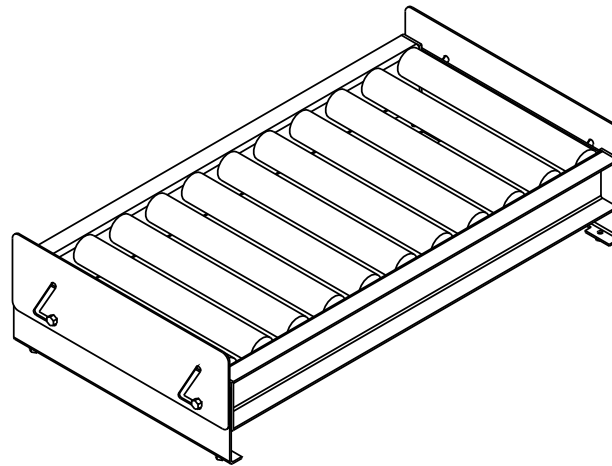
CONVEYOR W/ RETRACTABLE STOP

****CONV-1832 DOES NOT FIT ANY OF VESTILS CURRENT HYDRAULIC CARTS



STANDARD FEATURES

- MODEL NUMBER: CONV-1832
- OVERALL ROLLER CONVEYOR WIDTH: 18"
- OVERALL ROLLER CONVEYOR LENGTH: 32"
- OVERALL ROLLER HEIGHT: 3 7/8"
- 1.9" ROLLERS ON 3" CENTERS
- RETRACTABLE STOPS 18" WIDE



Any additions, deletions or omissions must be corrected on this drawing, as this drawing will be considered all inclusive.

All graphics provided are for reference only. If certain dimensions are critical please verify those dimensions with your salesperson

FOR INTERNAL USE ONLY PROJECT SIGN OFF	
SALES	
ENG	
FAB.	
POWER	

**A
P
P
R
O
V
A
L**

I, THE UNDERSIGNED, AGREE THAT THE PRODUCT AS REPRESENTED SATISFIES DESIGN & DIMENSION REQUIREMENTS. I ALSO ACKNOWLEDGE MY DUTY TO CONFIRM PRODUCT & INSTALLATION COMPLIANCE WITH ALL APPLICABLE FEDERAL, STATE AND LOCAL REGULATIONS & STANDARDS.

ALL SPECIAL UNITS ARE NON-RETURNABLE

[] As drawn [] As marked

Signed: _____ Date: _____

LEAD TIME WILL START UPON RECEIPT OF SIGNED APPROVAL DRAWING

DISTRIBUTOR'S NAME: VESTIL MFG		P.O.#: -
DRAWN BY: _____		W.O.#: -
DATE: -	SCALE: -	SALES: -
REFERENCE: -	SCALE: -	DRWG./FILE NAME: -
QUOTED LEADTIME: -	QUOTE #: -	