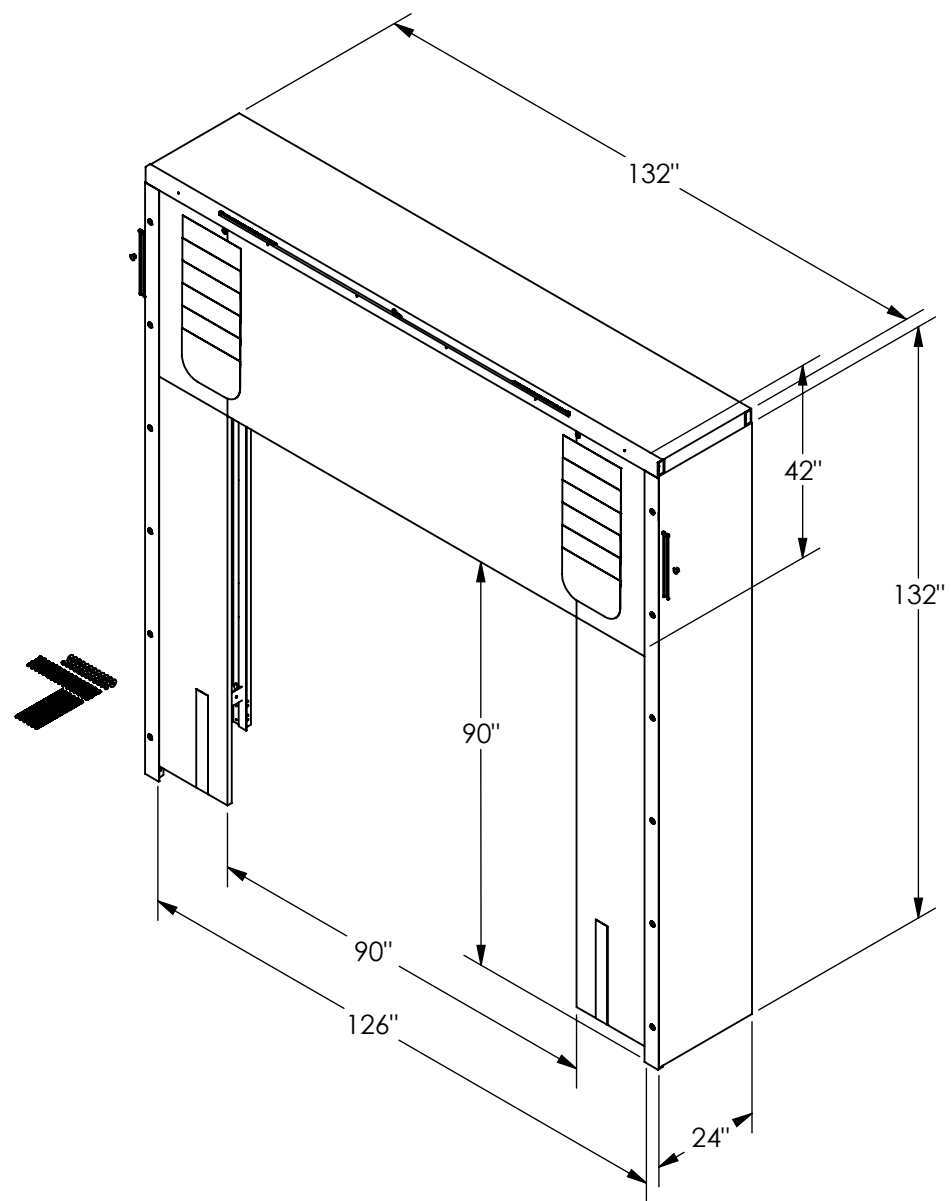


RETRACTABLE DOCK SHELTER - D-520-24

APPROX WEIGHT: 369.80 lbs.
 DOES NOT INCLUDE WEIGHT OF POWER OR PACKAGING!!!

*** ANY ADDITIONS, DELETIONS, OR OMISSIONS MUST BE CORRECTED ON THIS DRAWING AS THIS DRAWING WILL BE CONSIDERED ALL INCLUSIVE ***

ALL GRAPHICS PROVIDED ARE FOR REFERENCE ONLY. IF CERTAIN DIMENSIONS ARE CRITICAL PLEASE VERIFY THOSE DIMENSIONS WITH YOUR SALESPERSON



*** FOR STANDARD OPERATION DOCK HEIGHT MUST BE 48"

STANDARD FEATURES

- MODEL NUMBER IS D-520-24
- OVERALL WIDTH OF DOCK SHELTER PROJECTION IS 24"
- OVERALL LENGTH IS 132"
- USEABLE LENGTH IS 90"
- OVERALL HEIGHT IS 132"
- USEABLE HEIGHT IS 90"
- DOOR OPENING IS 10 FEET WIDE x 10 FEET HIGH
- FLAPS ARE MADE OF 40 oz. BLACK VINYL-COATED NYLON WITH 40 oz PLEATS
- STEEL FRAME SUPPORTING STRUCTURE
- 36"L HEADER FLAP WITH ARMOR PLEATS
- DOCK HEIGHT - 48"

WARNING!

- MUST HAVE 6" CLEARANCE ON LEFT AND RIGHT SIDES OF 10' DOOR
- MUST HAVE 8" CLEARANCE ON TOP OF 10' DOOR

- *ALL DOCK SHELTERS MUST BE MOUNTED AT DOCK HEIGHT
- *ALL DOCK SHELTERS ARE SPECIAL AND NON-RETURNABLE

SPECIAL FEATURES

NONE

DIMENSION TOLERANCE ± 1/4"

APPROVAL	I, THE UNDERSIGNED, AGREE THAT THE PRODUCT AS REPRESENTED SATISFIES DESIGN AND DIMENSION REQUIREMENTS. I ALSO ACKNOWLEDGE MY DUTY TO CONFIRM PRODUCT AND INSTALLATION COMPLIANCE WITH ALL APPLICABLE FEDERAL, STATE AND LOCAL REGULATIONS AND STANDARDS.	
	ANY MODIFIED UNITS ARE NON-RETURNABLE	
	[] As drawn [] As marked	
Signed: _____		Date: _____
Printed Name: _____		
<i>LEAD TIME WILL START UPON RECEIPT OF SIGNED APPROVAL DRAWING</i>		

FOR INTERNAL USE ONLY PROJECT SIGN OFF	
SALES	
ENG.	
FAB.	
POWER	

DISTRIBUTOR'S NAME:		P.O.#
VESTIL MANUFACTURING		X
DRAWN BY: BCN		W.O.#
DATE: 6/28/2016		X
REFERENCE: X	SCALE: 1:35	SALES: X
QUOTED LEAD TIME: X	QUOTE #	FILE NAME:
	X	35-007-009