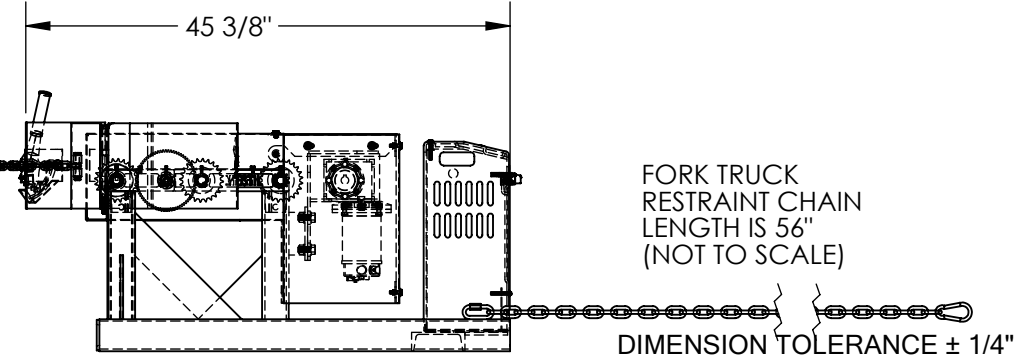
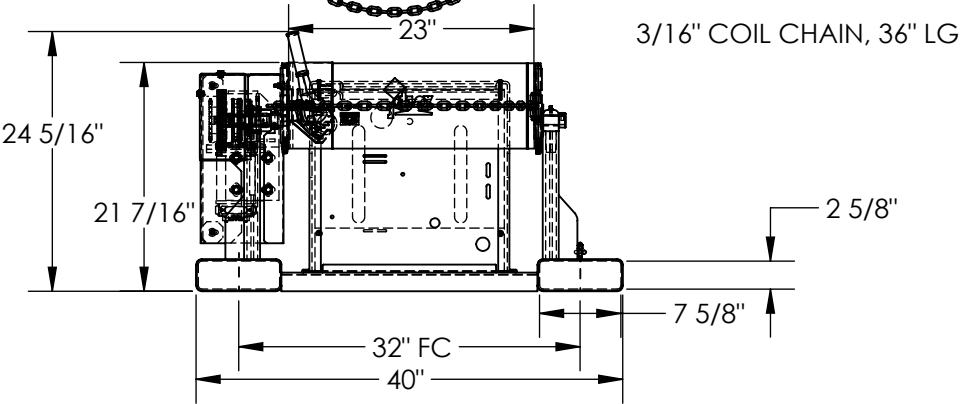
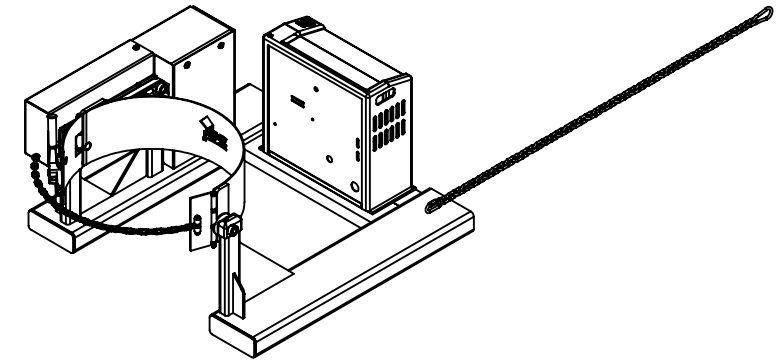
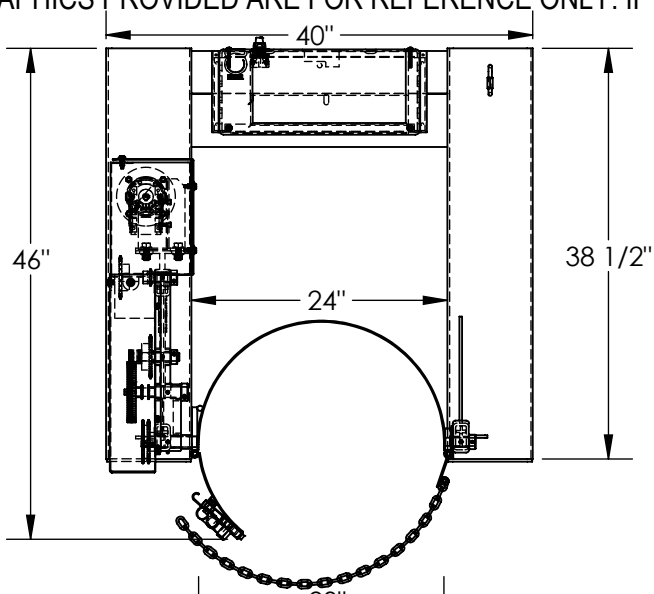


FORK TRUCK DRUM CARRIER/ROTATOR - DCR-205-8-DC

APPROX WEIGHT: 270.07 lbs.
DOES NOT INCLUDE WEIGHT OF POWER OR PACKAGING!!!

*** ANY ADDITIONS, DELETIONS, OR OMISSIONS MUST BE CORRECTED ON THIS DRAWING AS THIS DRAWING WILL BE CONSIDERED ALL INCLUSIVE ***

ALL GRAPHICS PROVIDED ARE FOR REFERENCE ONLY. IF CERTAIN DIMENSIONS ARE CRITICAL PLEASE VERIFY THOSE DIMENSIONS WITH YOUR SALESPERSON



STANDARD FEATURES

- MODEL NUMBER IS DCR-205-8-DC
- OVERALL WIDTH IS 40"
- OVERALL LENGTH IS 46"
- OVERALL HEIGHT IS 24 5/16"
- FITS 1- 55 GALLON DRUM
- MAX CAPACITY IS 800 LBS.
- FORK TRUCK RESTRAINT CHAIN IS 56"
- FORK POCKET CENTER-TO-CENTER IS 32"
- USABLE FORK POCKET SIZE IS 7 5/8"X2 5/8"
- BUNG WRENCH INCLUDED (NOT SHOWN)
- LOST LOAD IS 275 LBS. (APPROX)
- EFFECTIVE THICKNESS IS FORK LENGTH MINUS 38 1/2"
- DC POWERED HAND HELD CONTROL
- ON BOARD BATTERY CHARGER AND INDICATOR GAUGE
- FRAME IS TOUGH BAKED IN POWDER COATED YELLOW FINISH
- CRADLE IS TOUGH BAKED IN POWDER COATED BLUE FINISH

SPECIAL FEATURES

NONE

NEVER EXCEED LOAD CENTER RATING PER FORK TRUCK MANUFACTURER'S GUIDELINES. DO NOT USE THIS FORK TRUCK ATTACHEMENT IF LOAD WILL EXCEED FORK TRUCK MANUFACTURER'S LOAD CENTER RATING.

APPROVAL

I, THE UNDERSIGNED, AGREE THAT THE PRODUCT AS REPRESENTED SATISFIES DESIGN AND DIMENSION REQUIREMENTS. I ALSO ACKNOWLEDGE MY DUTY TO CONFIRM PRODUCT AND INSTALLATION COMPLIANCE WITH ALL APPLICABLE FEDERAL, STATE AND LOCAL REGULATIONS AND STANDARDS.
UNITS REQUIRING APPROVAL DRAWINGS OR MODIFIED ARE NON-RETURNABLE

As drawn As marked

Signed: _____ Date: _____

Printed Name: _____

LEAD TIME WILL START UPON RECEIPT OF SIGNED APPROVAL DRAWING

FOR INTERNAL USE ONLY PROJECT SIGN OFF	
SALES	
ENG.	
FAB.	
POWER	

DISTRIBUTOR'S NAME:		P.O.#
VESTIL MANUFACTURING		X
DRAWN BY: CRA		DATE: 9/30/2013
REFERENCE: X		SCALE: 1:18
QUOTED LEAD TIME: X		QUOTE # X
		FILE NAME: 09-007-112-001