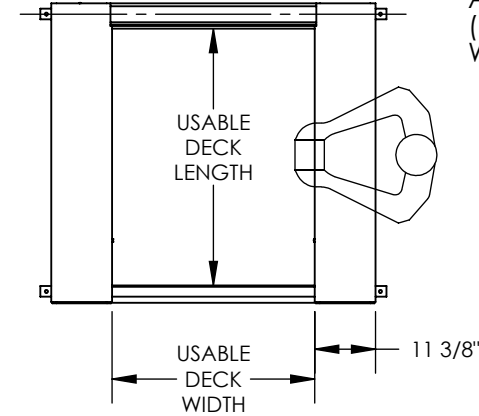
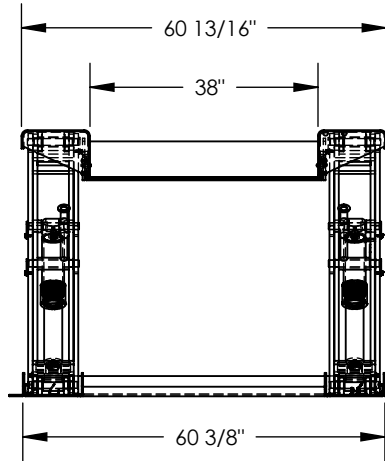
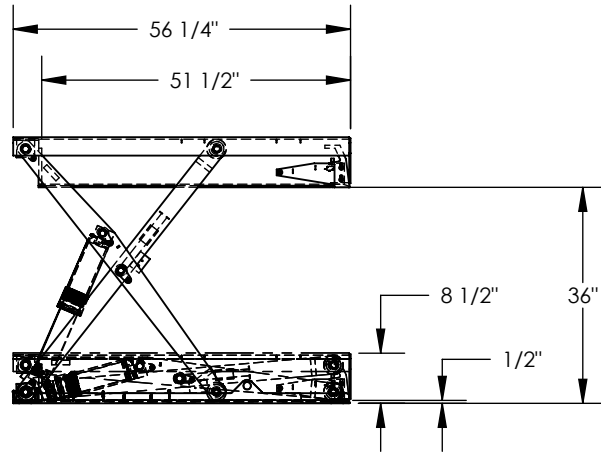


GROUND LIFT SCISSOR TABLE - EHLTG-3850-4-36

APPROX WEIGHT: 1256.76 lbs.
 DOES NOT INCLUDE WEIGHT OF POWER OR PACKAGING!!!

*** ANY ADDITIONS, DELETIONS, OR OMISSIONS MUST BE CORRECTED ON THIS DRAWING AS THIS DRAWING WILL BE CONSIDERED ALL INCLUSIVE ***

ALL GRAPHICS PROVIDED ARE FOR REFERENCE ONLY. IF CERTAIN DIMENSIONS ARE CRITICAL PLEASE VERIFY THOSE DIMENSIONS WITH YOUR SALESPERSON

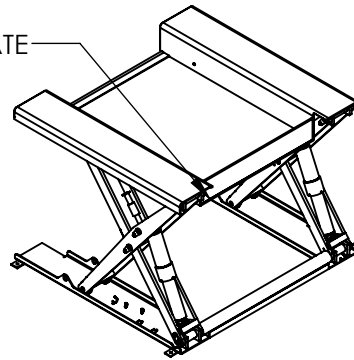


AVERAGE REACH
 (W/O BENDING AT
 WAIST)

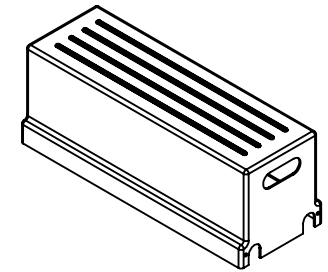
STANDARD FEATURES

- MODEL NUMBER IS: EHLTG-3850-4-36
- PLATFORM WIDTH (USABLE): 38"
- PLATFORM LENGTH (USABLE): 51 1/2"
- OVERALL WIDTH: 60 13/16"
- OVERALL LENGTH: 56 1/4"
- PLATFORM RAISED HEIGHT: 36"
- PLATFORM LOWERED HEIGHT: 1/2"
- EXTERNAL POWER UNIT
- CAPACITY: 4,000 LBS.
- DURABLE LIQUID PAINT BLUE FINISH

6" HIGH
 BACK PLATE



REMOTE POWER UNIT
 32 1/2" x 12" 12 1/2" (L x W x H)
 WITH 8' HOSE & CABLE



SPECIAL FEATURES

NONE

PLEASE CIRCLE SPECIFICATIONS:

POWER	<input checked="" type="checkbox"/> AC	<input type="checkbox"/> DC (12V)	<input type="checkbox"/> AIR/OIL
MOTOR VOLTAGE	<input type="checkbox"/> 115	<input type="checkbox"/> 208	<input checked="" type="checkbox"/> 230 460
DEDICATED CIRCUIT REQUIRED 60Hz			
MOTOR PHASE	<input type="checkbox"/> SINGLE	<input checked="" type="checkbox"/> THREE	
CONTROL	<input type="checkbox"/> HAND		<input checked="" type="checkbox"/> FOOT

DIMENSION TOLERANCE ± 1/4"

I, THE UNDERSIGNED, AGREE THAT THE PRODUCT AS REPRESENTED SATISFIES DESIGN AND DIMENSION REQUIREMENTS. I ALSO ACKNOWLEDGE MY DUTY TO CONFIRM PRODUCT AND INSTALLATION COMPLIANCE WITH ALL APPLICABLE FEDERAL, STATE AND LOCAL REGULATIONS AND STANDARDS.

ANY MODIFIED UNITS ARE NON-RETURNABLE

[] As drawn [] As marked

Signed: _____ Date: _____

Printed Name: _____

LEAD TIME WILL START UPON RECEIPT OF SIGNED APPROVAL DRAWING

DISTRIBUTOR'S NAME:		P.O.#
VESTIL MANUFACTURING		X
DRAWN BY: JWW		W.O.#
DATE: 10/02/2013		X
REFERENCE: X	SCALE: 1:32	SALES: X
QUOTED LEAD TIME: X	QUOTE # X	FILE NAME:
		04-007-102

FOR INTERNAL USE ONLY PROJECT SIGN OFF	
SALES	
ENG.	
FAB.	
POWER	