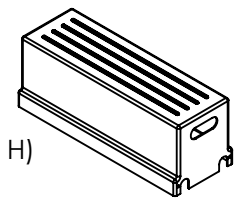
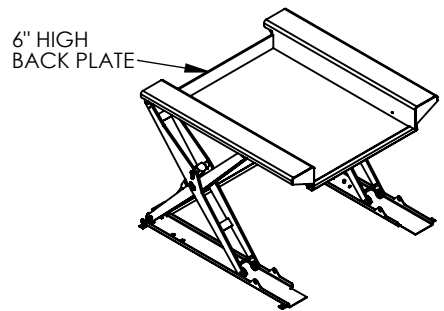
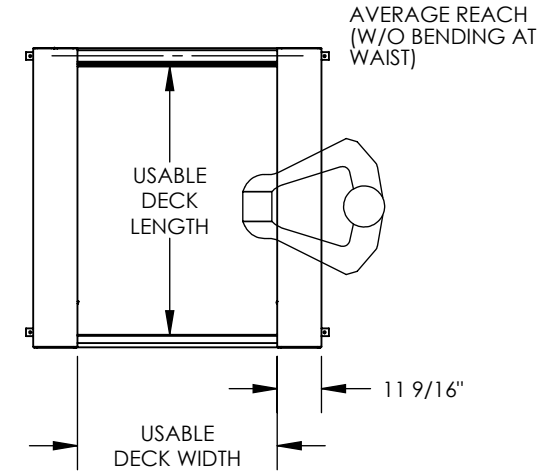
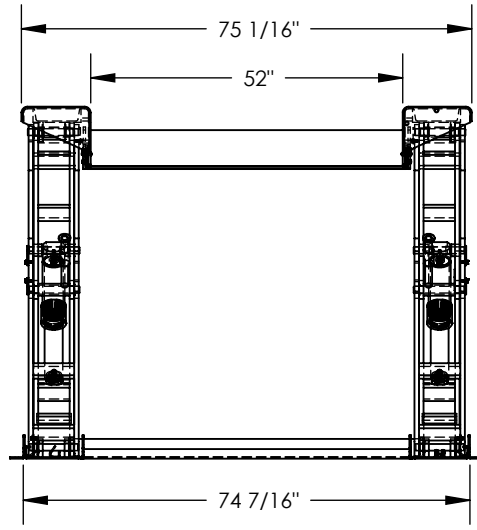
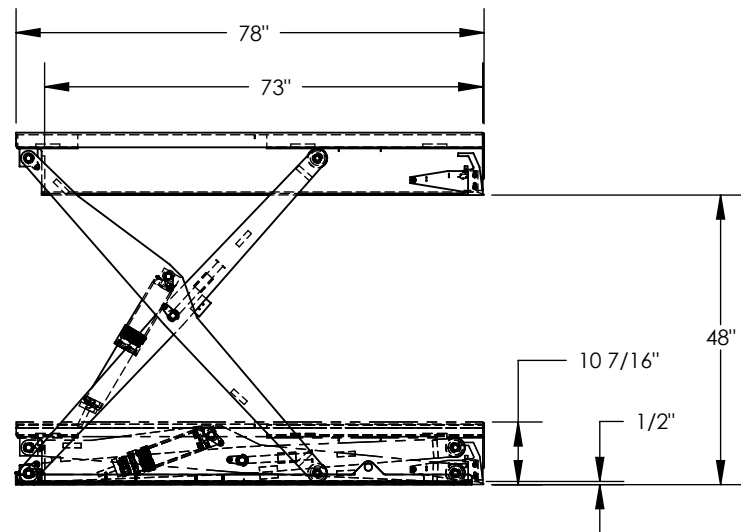


GROUND LIFT SCISSOR TABLE - EHLTG-5270-4-48

APPROX WEIGHT: 2049.76 lbs.
 DOES NOT INCLUDE WEIGHT OF POWER OR PACKAGING!!!

*** ANY ADDITIONS, DELETIONS, OR OMISSIONS MUST BE CORRECTED ON THIS DRAWING AS THIS DRAWING WILL BE CONSIDERED ALL INCLUSIVE ***

ALL GRAPHICS PROVIDED ARE FOR REFERENCE ONLY. IF CERTAIN DIMENSIONS ARE CRITICAL PLEASE VERIFY THOSE DIMENSIONS WITH YOUR SALESPERSON



REMOTE POWER UNIT:
 32 1/2" x 12" x 12 1/2" (L x W x H)
 WITH 8' HOSE & CABLE

STANDARD FEATURES

- MODEL NUMBER IS: EHLTG-5270-4-48
- PLATFORM WIDTH (USABLE): 52"
- PLATFORM LENGTH (USABLE): 73"
- OVERALL WIDTH: 75 1/16"
- OVERALL LENGTH: 78"
- PLATFORM RAISED HEIGHT: 48"
- PLATFORM LOWERED HEIGHT: 10 7/16"
- CAPACITY: 4,000 LBS
- DURABLE LIQUID PAINT BLUE FINISH

SPECIAL FEATURES

NONE

PLEASE CIRCLE SPECIFICATIONS:

| | | | |
|---------------------------------|--|---|---|
| POWER | <input checked="" type="checkbox"/> AC | <input type="checkbox"/> DC (12V) | <input type="checkbox"/> AIR/OIL |
| MOTOR VOLTAGE | <input type="checkbox"/> 115 | <input type="checkbox"/> 200 | <input checked="" type="checkbox"/> 460 |
| DEDICATED CIRCUIT REQUIRED 60Hz | | | |
| MOTOR PHASE | <input type="checkbox"/> SINGLE | <input checked="" type="checkbox"/> THREE | |
| CONTROL | <input type="checkbox"/> HAND | <input checked="" type="checkbox"/> FOOT | |

DIMENSION TOLERANCE ± 1/4"

APPROVAL

I, THE UNDERSIGNED, AGREE THAT THE PRODUCT AS REPRESENTED SATISFIES DESIGN AND DIMENSION REQUIREMENTS. I ALSO ACKNOWLEDGE MY DUTY TO CONFIRM PRODUCT AND INSTALLATION COMPLIANCE WITH ALL APPLICABLE FEDERAL, STATE AND LOCAL REGULATIONS AND STANDARDS.

ANY MODIFIED UNITS ARE NON-RETURNABLE

[] As drawn [] As marked

Signed: _____ Date: _____

Printed Name: _____

LEAD TIME WILL START UPON RECEIPT OF SIGNED APPROVAL DRAWING

| | |
|---|--|
| FOR INTERNAL USE ONLY PROJECT SIGN OFF | |
| SALES | |
| ENG. | |
| FAB. | |
| POWER | |

| | | |
|----------------------|--|------------------|
| DISTRIBUTOR'S NAME: | | P.O.# |
| VESTIL MANUFACTURING | | X |
| DRAWN BY: V.GONI | | DATE: 08/28/2013 |
| REFERENCE: X | | SCALE: 1:32 |
| QUOTED LEAD TIME: X | | QUOTE # X |
| | | W.O.# |
| | | X |
| | | SALES: X |
| | | FILE NAME: |
| | | 04-007-056 |