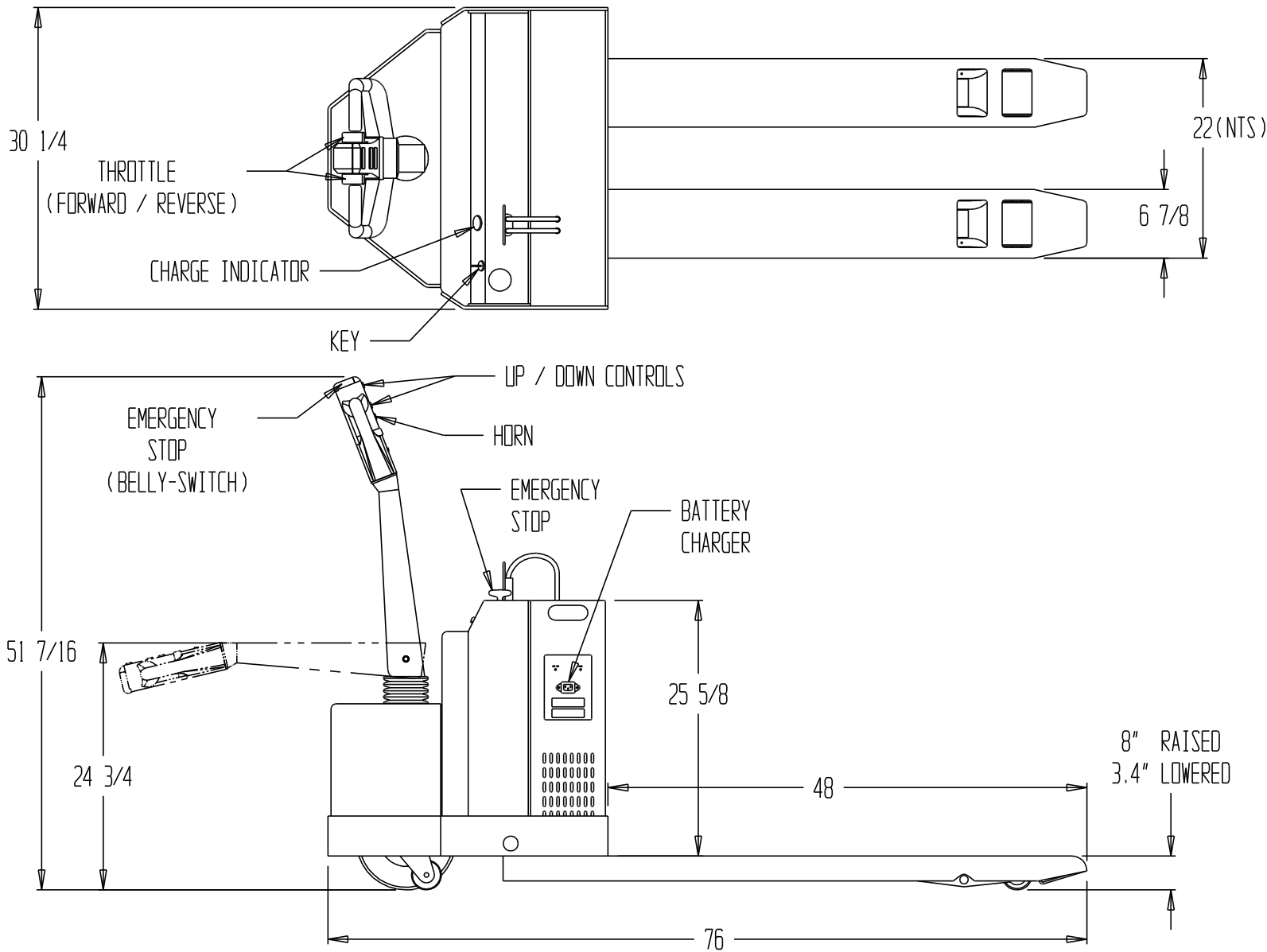


# FULLY POWERED ELECTRIC PALLET TRUCK, EPT-2048-45



## STANDARD FEATURES

MODEL NUMBER: EPT-2048-45  
 CAPACITY: 4,500 LBS.  
 OVERALL FORK WIDTH: 22"  
 USABLE FORK LENGTH: 48"  
 FORK RAISED HEIGHT: 8"  
 FORK LOWERED HEIGHT: 3.4"  
 OVERALL WIDTH: 30 1/4"  
 OVERALL LENGTH: 76"  
 OVERALL HEIGHT: 51 7/16"  
 24V DC POWERED

## SPECIAL FEATURES

NONE

PRODUCTION WILL START UPON  
 RECEIPT OF SIGNED APPROVAL  
 DRAWING

All graphics provided are for reference only.  
 If certain dimensions are critical please  
 verify those dimensions with your salesperson

FOR INTERNAL USE ONLY	
PROJECT SIGN OFF	
SALES	
ENG	
FAB.	
POWER	

I, THE UNDERSIGNED, AGREE THAT THE PRODUCT AS REPRESENTED SATISFIES DESIGN & DIMENSION REQUIREMENTS. I ALSO ACKNOWLEDGE MY DUTY TO CONFIRM PRODUCT & INSTALLATION COMPLIANCE WITH ALL APPLICABLE FEDERAL, STATE AND LOCAL REGULATIONS & STANDARDS.  
**ANY MODIFIED UNITS ARE NON-RETURNABLE**  
 As drawn     As marked  
 Signed: \_\_\_\_\_ Date: \_\_\_\_\_  
 Printed Name: \_\_\_\_\_  
 LEAD TIME WILL START UPON RECEIPT OF SIGNED APPROVAL DRAWING

DISTRIBUTOR'S NAME:		P.O.#:
<b>VESTIL MANUFACTURING</b>		-
DRAWN BY: SR		DATE: 8-10-07
REFERENCE: -		SALES: -
QUOTED LEADTIME: -	SCALE: 1:16	DRWG./FILE NAME:
QUOTE #: -	EPT-2048-45	

\*\*SPECIAL UNITS ARE NON-RETURNABLE  
 \*AVAILABLE AT ADDITIONAL COSTS