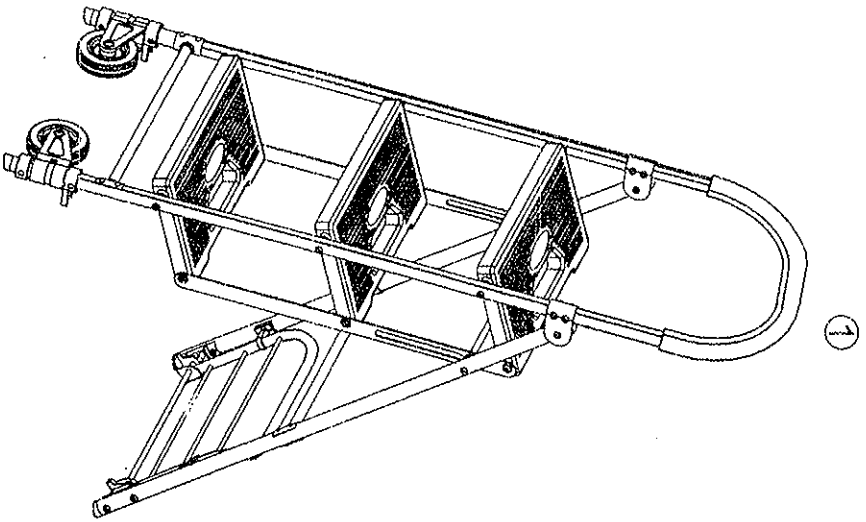
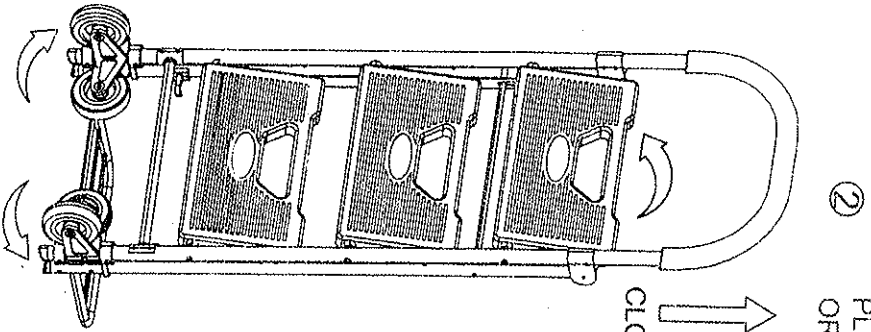


# INSTRUCTION

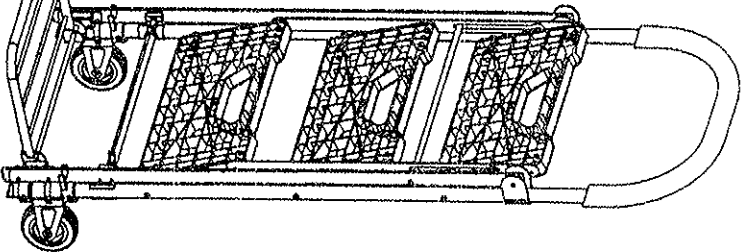
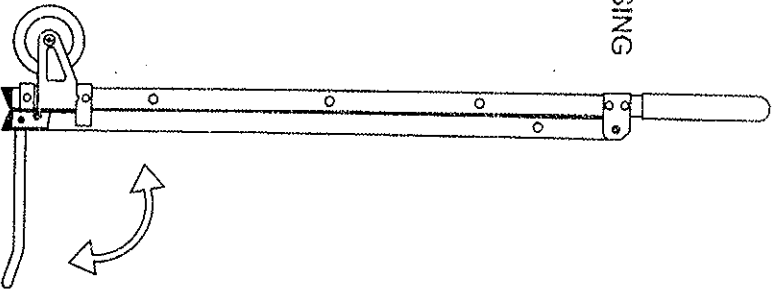
FSL-3



1) Drop step when opened for using ladder.



SAFETY WARNING:WHEN CLOSING,  
PLEASE CLOSE THE TOP STEP SLOWLY,  
OR IT WILL HURT YOUR HAND.



2) Close step and push out two wheels in 90 degree by hands, then open plate You can transport for hand truck;

3) Folding when you don't use it.

