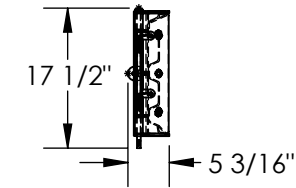
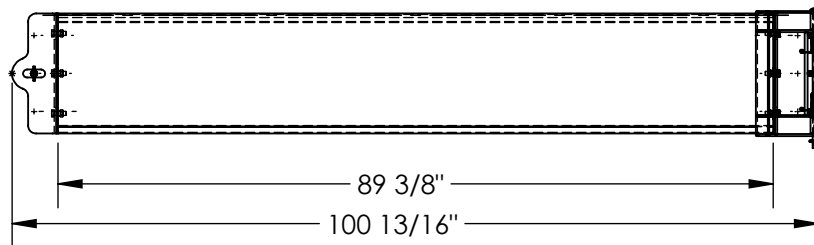
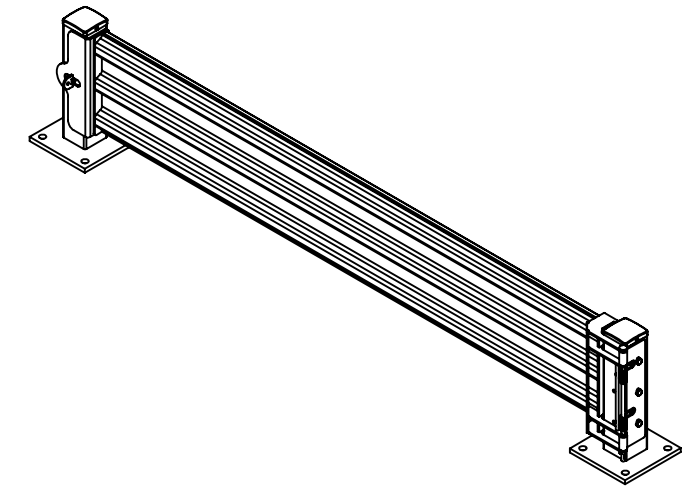


HINGED, 3 RIB, GUARD RAIL GATE 8' LG - GR-F3R-GBS-8-YL

APPROX WEIGHT: 105.10 lbs.
 DOES NOT INCLUDE WEIGHT OF POWER OR PACKAGING!!!

*** ANY ADDITIONS, DELETIONS, OR OMISSIONS MUST BE CORRECTED ON THIS DRAWING AS THIS DRAWING WILL BE CONSIDERED ALL INCLUSIVE ***
 ALL GRAPHICS PROVIDED ARE FOR REFERENCE ONLY. IF CERTAIN DIMENSIONS ARE CRITICAL PLEASE VERIFY THOSE DIMENSIONS WITH YOUR SALESPERSON



NOTE: POSTS NOT INCLUDED

STANDARD FEATURES

- MODEL NUMBER IS GR-F3R-GBS-8-YL
- OVERALL WIDTH IS 100 13/16"
- USABLE WIDTH 89 3/8"
- USABLE LENGTH 5 3/16"
- OVERALL HEIGHT IS 17 1/2"
- GATE IS TOUGH BAKED IN POWDER COAT YELLOW FINISH
- BRACKETS ARE TOUGH BAKED IN POWDER COAT BLACK FINISH
- HARDWARE INCLUDED

DIMENSION TOLERANCE ± 1/4"

APPROVAL	I, THE UNDERSIGNED, AGREE THAT THE PRODUCT AS REPRESENTED SATISFIES DESIGN AND DIMENSION REQUIREMENTS. I ALSO ACKNOWLEDGE MY DUTY TO CONFIRM PRODUCT AND INSTALLATION COMPLIANCE WITH ALL APPLICABLE FEDERAL, STATE AND LOCAL REGULATIONS AND STANDARDS. ANY MODIFIED UNITS ARE NON-RETURNABLE <input type="checkbox"/> As drawn <input type="checkbox"/> As marked	
	Signed: _____ Date: _____	
	Printed Name: _____	

LEAD TIME WILL START UPON RECEIPT OF SIGNED APPROVAL DRAWING

SPECIAL FEATURES

NONE

FOR INTERNAL USE ONLY PROJECT SIGN OFF	
SALES	
ENG.	
FAB.	
POWER	

DISTRIBUTOR'S NAME:		P.O.#
VESTIL MANUFACTURING		X
DRAWN BY: N.ELSTON		W.O.#
DATE: 04/08/20		X
REFERENCE: X	SCALE: 1:24	SALES: X
QUOTED LEAD TIME: X	QUOTE #	FILE NAME:
	X	23-007-744