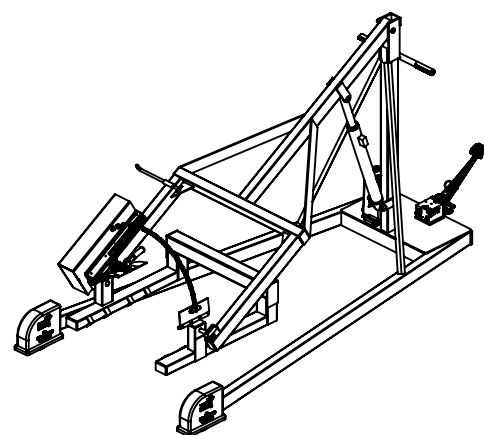
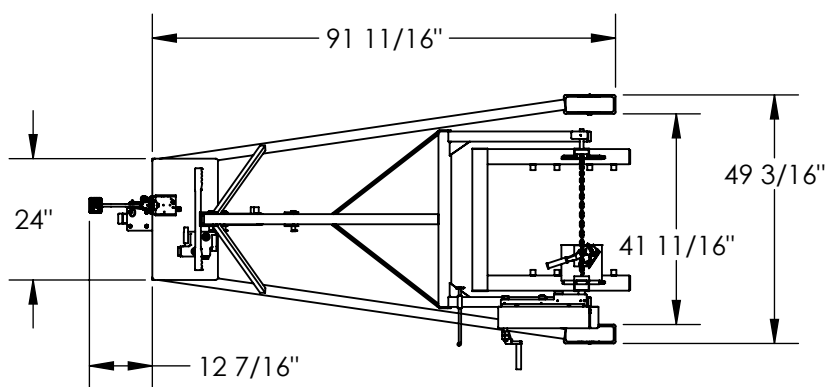


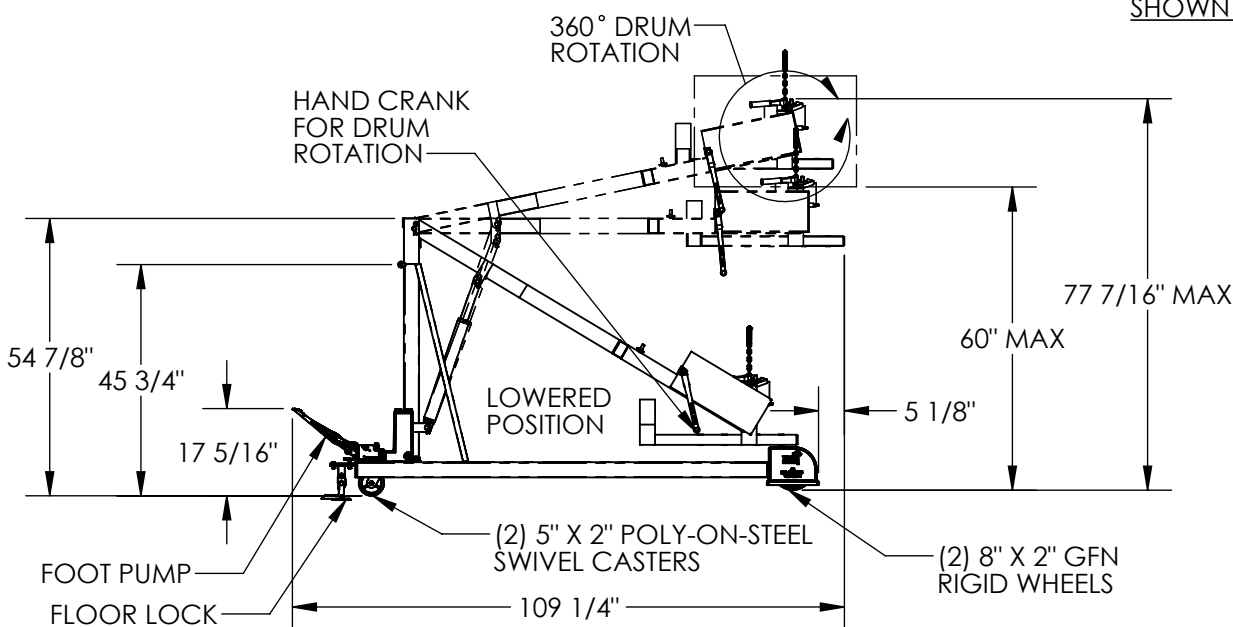
# HYDRAULIC DRUM STACKER - HDC-450-60

APPROX WEIGHT: 543.46 lbs.  
DOES NOT INCLUDE WEIGHT OF POWER OR PACKAGING!!!

\*\*\*ANY ADDITIONS, DELETIONS, OR OMISSIONS MUST BE CORRECTED ON THIS DRAWING AS THIS DRAWING WILL BE CONSIDERED ALL INCLUSIVE\*\*\*



SHOWN IN LOWERED POSITION



ALL GRAPHICS PROVIDED ARE FOR REFERENCE ONLY. IF CERTAIN DIMENSIONS ARE CRITICAL PLEASE VERIFY THOSE DIMENSIONS WITH YOUR SALESPERSON

## STANDARD FEATURES

- MODEL NUMBER IS HDC-450-60
- CAPACITY IS 800 LBS
- OVERALL WIDTH IS 49 3/16"
- OVERALL LENGTH IS 109 1/4"
- OVERALL HEIGHT IS 77 7/16" MAX
- OUT RIGGER INSIDE DIMENSION IS 41 11/16"
- PUSH HANDLE HEIGHT IS 45 3/4"
- DRUM RAISED HEIGHT IS 60" MAX
- (2) 5" X 2" REAR SWIVEL POLY-ON-STEEL CASTERS
- (2) 8" X 2" FRONT RIGID GFN WHEELS
- HAND CRANK DRUM ROTATION (360°)
- FOOT PUMP
- FLOOR LOCK
- DURABLE LIQUID PAINT BLUE FINISH

## SPECIAL FEATURES

NONE

DIMENSION TOLERANCE ± 1/4"

FOR INTERNAL USE ONLY  
PROJECT SIGN OFF

|       |  |
|-------|--|
| SALES |  |
| ENG.  |  |
| FAB.  |  |
| POWER |  |

APPROVAL

I, THE UNDERSIGNED, AGREE THAT THE PRODUCT AS REPRESENTED SATISFIES DESIGN AND DIMENSION REQUIREMENTS. I ALSO ACKNOWLEDGE MY DUTY TO CONFIRM PRODUCT AND INSTALLATION COMPLIANCE WITH ALL APPLICABLE FEDERAL, STATE AND LOCAL REGULATIONS AND STANDARDS.

**ANY MODIFIED UNITS ARE NON-RETURNABLE**

As drawn       As marked

Signed: \_\_\_\_\_ Date: \_\_\_\_\_

Printed Name: \_\_\_\_\_

LEAD TIME WILL START UPON RECEIPT OF SIGNED APPROVAL DRAWING

|                      |             |            |
|----------------------|-------------|------------|
| DISTRIBUTOR'S NAME:  |             | P.O.#      |
| VESTIL MANUFACTURING |             | X          |
| DRAWN BY: DEY        |             | W.O.#      |
| DATE: 12/08/11       |             | X          |
| REFERENCE: X         | SCALE: 1:38 | SALES: X   |
| QUOTED LEAD TIME: X  | QUOTE # X   | FILE NAME: |
|                      |             | 09-007-033 |