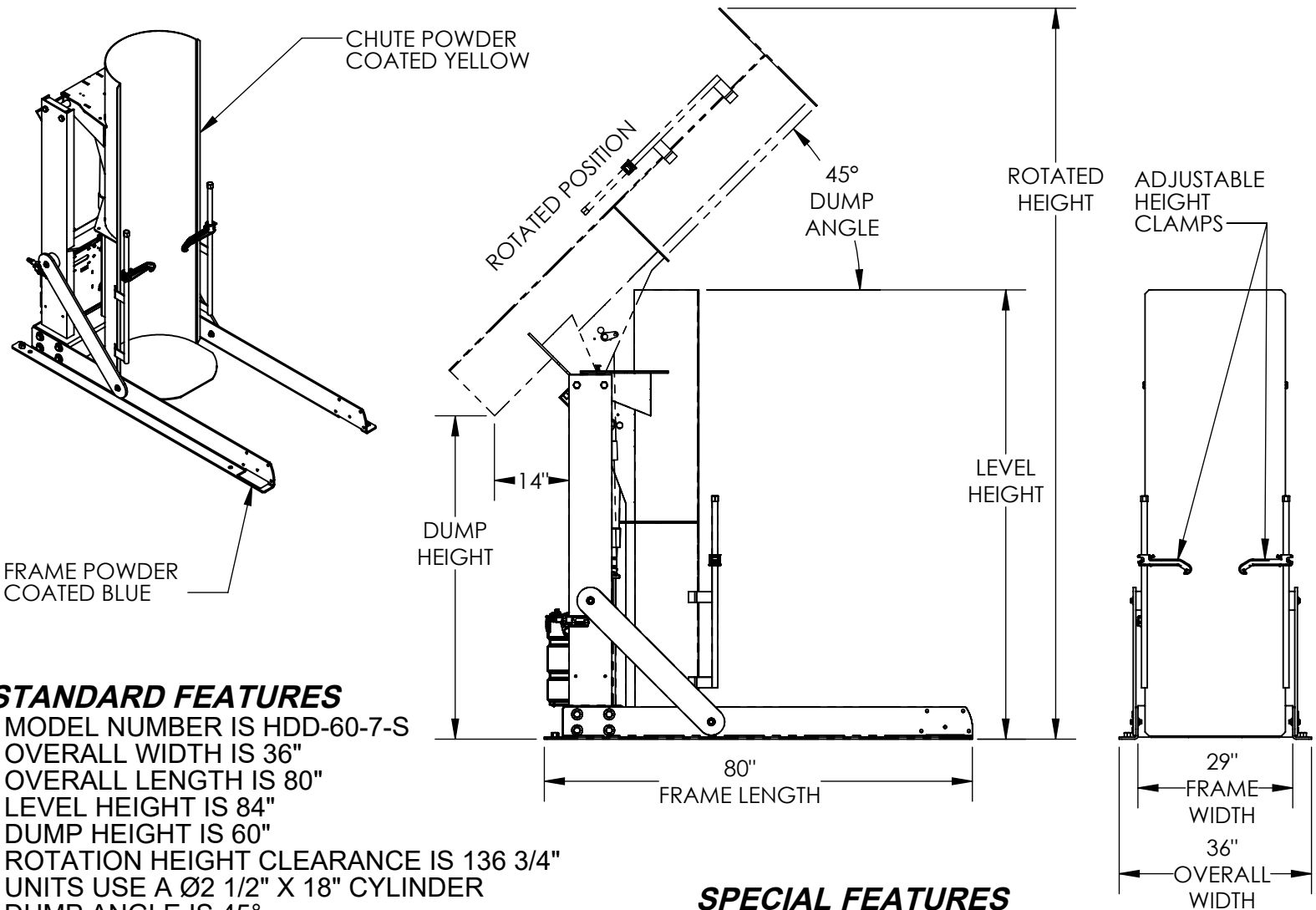


STATIONARY HYDRAULIC DRUM DUMPERS- HDD-60-7-S

APPROX WEIGHT: 821.57 lbs.
 DOES NOT INCLUDE WEIGHT OF POWER OR PACKAGING!!

ANY ADDITIONS, DELETIONS, OR OMISSIONS MUST BE CORRECTED ON THIS DRAWING AS THIS DRAWING WILL BE CONSIDERED ALL INCLUSIVE

ALL GRAPHICS PROVIDED ARE FOR REFERENCE ONLY. IF CERTAIN DIMENSIONS ARE CRITICAL PLEASE VERIFY THOSE DIMENSIONS WITH YOUR SALESPERSON



STANDARD FEATURES

- MODEL NUMBER IS HDD-60-7-S
- OVERALL WIDTH IS 36"
- OVERALL LENGTH IS 80"
- LEVEL HEIGHT IS 84"
- DUMP HEIGHT IS 60"
- ROTATION HEIGHT CLEARANCE IS 136 3/4"
- UNITS USE A Ø2 1/2" X 18" CYLINDER
- DUMP ANGLE IS 45°
- MAX CAPACITY IS 750 LBS.
- ALL STEEL CONSTRUCTION
- PENDANT HAND CONTROL WITH 8' CORD
- ACCEPTABLE DRUM SIZE:
 Ø16 1/2" TO Ø23 1/2" (ROUND) X 27 1/2" TO 39 1/2" H (TALL)
- BASE POWDER COATED BLUE
- CHUTE POWDER COATED YELLOW
- TOUGH BAKED IN POWDER COATED FINISH

SPECIAL FEATURES

NONE

DIMENSION TOLERANCE ± 1/4"

FOR INTERNAL USE ONLY
PROJECT SIGN OFF

| | |
|-------|--|
| SALES | |
| ENG. | |
| FAB. | |
| POWER | |

3,000 P.S.I. HYDRAULIC COMPONENTS RATING
 WARNING: CHECK STATE AND LOCAL CODES !!!
 UNIT MUST BE SECURED TO FLOOR BEFORE USE

PLEASE CIRCLE SPECIFICATIONS:

| | | | |
|--------------------------------------|--------------------------------------------|-----------------------------------|------------------------------------|
| POWER | <input checked="" type="checkbox"/> AC | <input type="checkbox"/> *DC | <input type="checkbox"/> * AIR/OIL |
| MOTOR VOLTAGE | <input checked="" type="checkbox"/> 115 | <input type="checkbox"/> 208 | <input type="checkbox"/> 230 460 |
| DEDICATED CIRCUIT REQUIRED | | | |
| MOTOR PHASE | <input checked="" type="checkbox"/> SINGLE | <input type="checkbox"/> THREE | |
| CONTROL | <input checked="" type="checkbox"/> HAND | <input type="checkbox"/> * FOOT | |
| ~ ALL BATTERY CHARGERS ARE 115V AC ~ | | | |
| * BATTERY CHRG. | <input type="checkbox"/> REMOTE | <input type="checkbox"/> ON-BOARD | |
| * CHRG. INDICATOR | <input type="checkbox"/> YES | <input type="checkbox"/> NO | |

* AVAILABLE AT ADDITIONAL COST

A P P R O V A L

I, THE UNDERSIGNED, AGREE THAT THE PRODUCT AS REPRESENTED SATISFIES DESIGN AND DIMENSION REQUIREMENTS. I ALSO ACKNOWLEDGE MY DUTY TO CONFIRM PRODUCT AND INSTALLATION COMPLIANCE WITH ALL APPLICABLE FEDERAL, STATE AND LOCAL REGULATIONS AND STANDARDS.

ANY MODIFIED UNITS ARE NON-RETURNABLE

[] As drawn [] As marked

Signed: _____ Date: _____

Printed Name: _____

LEAD TIME WILL START UPON RECEIPT OF SIGNED APPROVAL DRAWING

| | | |
|----------------------|-------------|------------|
| DISTRIBUTOR'S NAME: | | P.O.# |
| VESTIL MANUFACTURING | | X |
| DRAWN BY: CRM | | W.O.# |
| DATE: 08/12/2010 | | X |
| REFERENCE: X | SCALE: 1:30 | SALES: X |
| QUOTED LEAD TIME: X | QUOTE # X | FILE NAME: |
| | | 09-007-124 |