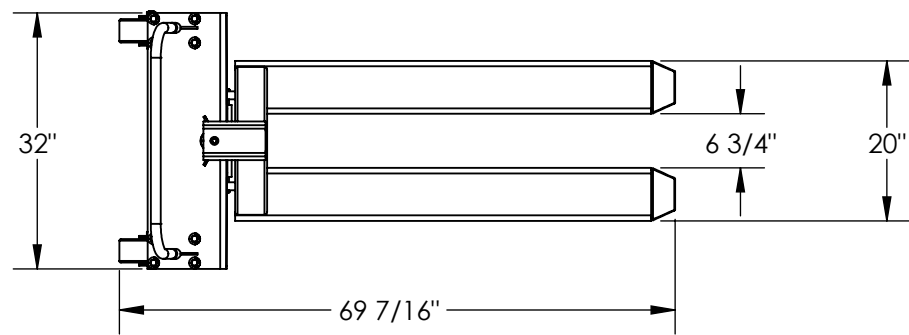


HIGH RISE LIFT TRUCK - HIPM-2048-AIR

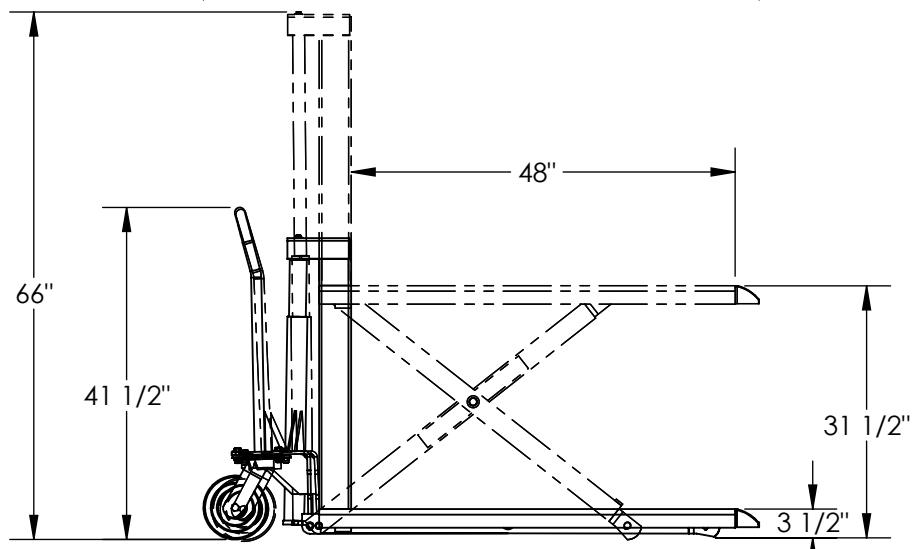
APPROX WEIGHT: 485.46 lbs.
 DOES NOT INCLUDE WEIGHT OF POWER OR PACKAGING!!!

*** ANY ADDITIONS, DELETIONS, OR OMISSIONS MUST BE CORRECTED ON THIS DRAWING AS THIS DRAWING WILL BE CONSIDERED ALL INCLUSIVE ***

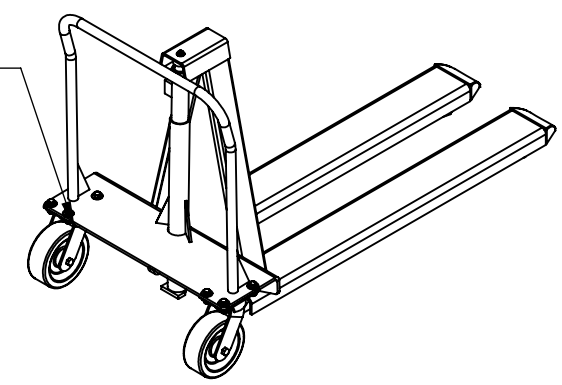
ALL GRAPHICS PROVIDED ARE FOR REFERENCE ONLY. IF CERTAIN DIMENSIONS ARE CRITICAL PLEASE VERIFY THOSE DIMENSIONS WITH YOUR SALESPERSON



For use with open
bottom pallets only



NOTE: AIR POWER
UNIT MOUNTING PLATE.
AIR POWER UNIT NOT SHOWN



DIMENSION TOLERANCE ± 1/4"

STANDARD FEATURES

- MODEL NUMBER IS HIPM-2048-AIR
- OVERALL WIDTH IS 32"
- OVERALL LENGTH IS 69 7/16"
- OVERALL LOWERED HEIGHT IS 41 1/2"
- OVERALL RAISED HEIGHT IS 66"
- FORK WIDTH IS 20"
- FORK LENGTH IS 48"
- LOWERED FORK HEIGHT IS 3 1/2"
- RAISED FORK HEIGHT IS 31 1/2"
- RECIPROCATING AIR POWERED HYDRAULIC
15 CFM @ 100 PSI (1/4 GPM)
- FOOT TREADLE CONTROL
- MAX CAPACITY IS 2500 LBS
- FOR USE WITH OPEN BOTTOM SKIDS ONLY

SPECIAL FEATURES

NONE

APPROVAL	I, THE UNDERSIGNED, AGREE THAT THE PRODUCT AS REPRESENTED SATISFIES DESIGN AND DIMENSION REQUIREMENTS. I ALSO ACKNOWLEDGE MY DUTY TO CONFIRM PRODUCT AND INSTALLATION COMPLIANCE WITH ALL APPLICABLE FEDERAL, STATE AND LOCAL REGULATIONS AND STANDARDS.	
	ANY MODIFIED UNITS ARE NON-RETURNABLE	
	[] As drawn	[] As marked
	Signed: _____	Date: _____
	Printed Name: _____	
LEAD TIME WILL START UPON RECEIPT OF SIGNED APPROVAL DRAWING		

FOR INTERNAL USE ONLY PROJECT SIGN OFF	
SALES	
ENG.	
FAB.	
POWER	

DISTRIBUTOR'S NAME:		P.O.#
VESTIL MANUFACTURING		X
DRAWN BY: KGH		W.O.#
DATE: 7/27/2016		X
REFERENCE: X	SCALE: 1:24	SALES: X
QUOTED LEAD TIME: X	QUOTE #	FILE NAME:
	X	15-007-033-003