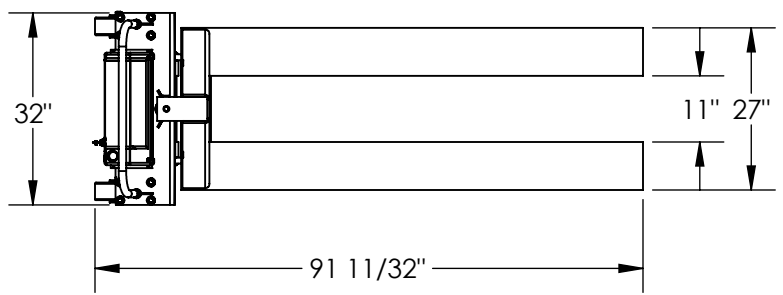


# HIGH RISE LIFT TRUCK - HIPM-2772-AC

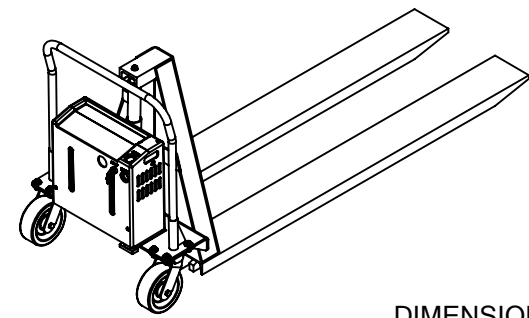
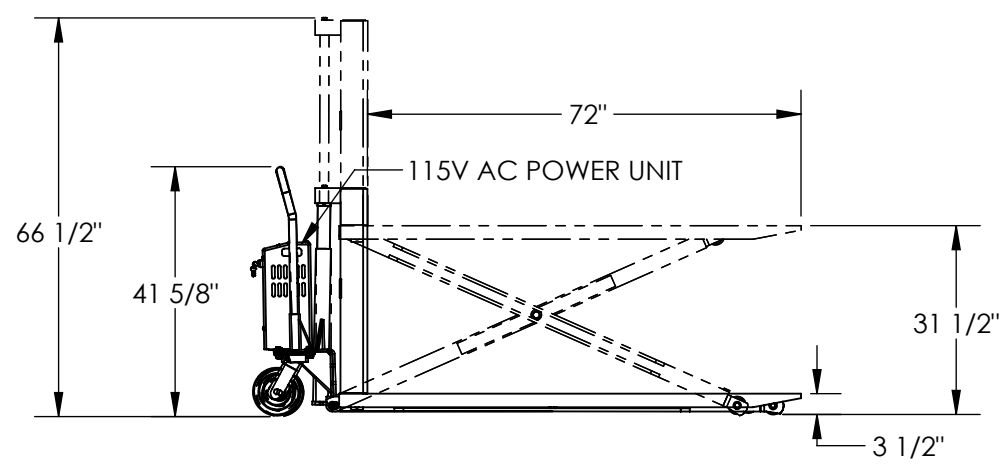
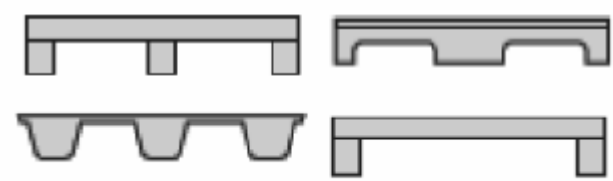
APPROX WEIGHT: 823.46 lbs.  
DOES NOT INCLUDE WEIGHT OF POWER OR PACKAGING!!!

\*\*\* ANY ADDITIONS, DELETIONS, OR OMISSIONS MUST BE CORRECTED ON THIS DRAWING AS THIS DRAWING WILL BE CONSIDERED ALL INCLUSIVE \*\*\*

ALL GRAPHICS PROVIDED ARE FOR REFERENCE ONLY. IF CERTAIN DIMENSIONS ARE CRITICAL PLEASE VERIFY THOSE DIMENSIONS WITH YOUR SALESPERSON



For use with open bottom pallets only



DIMENSION TOLERANCE ± 1/4"

## STANDARD FEATURES

- MODEL NUMBER IS HIPM-2772-AC
- OVERALL WIDTH IS 32"
- OVERALL LENGTH IS 91 11/32"
- OVERALL LOWERED HEIGHT IS 41 5/8"
- OVERALL RAISE HEIGHT IS 66 1/2"
- FORK WIDTH IS 27"
- USABLE FORK LENGTH IS 72"
- LOWERED FORK HEIGHT IS 3 1/2"
- RAISED FORK HEIGHT IS 31 1/2"
- MAX CAPACITY IS 2500 LBS.
- FOR USE WITH OPEN BOTTOM SKIDS ONLY
- POWER SPECIFICATIONS: AC 115V WITH HAND HELD PENDANT CONTROL

## SPECIAL FEATURES

NONE

APPROVAL	I, THE UNDERSIGNED, AGREE THAT THE PRODUCT AS REPRESENTED SATISFIES DESIGN AND DIMENSION REQUIREMENTS. I ALSO ACKNOWLEDGE MY DUTY TO CONFIRM PRODUCT AND INSTALLATION COMPLIANCE WITH ALL APPLICABLE FEDERAL, STATE AND LOCAL REGULATIONS AND STANDARDS.	
	ANY MODIFIED UNITS ARE NON-RETURNABLE	
	[ ] As drawn	[ ] As marked
Signed: _____		Date: _____
Printed Name: _____		
LEAD TIME WILL START UPON RECEIPT OF SIGNED APPROVAL DRAWING		

FOR INTERNAL USE ONLY PROJECT SIGN OFF	
SALES	
ENG.	
FAB.	
POWER	

DISTRIBUTOR'S NAME:		P.O.#
VESTIL MANUFACTURING		X
DRAWN BY: KGH		DATE: 10/10/2016
REFERENCE: X	SCALE: 1:32	SALES: X
QUOTED LEAD TIME: X	QUOTE # X	FILE NAME: 15-007-148-001