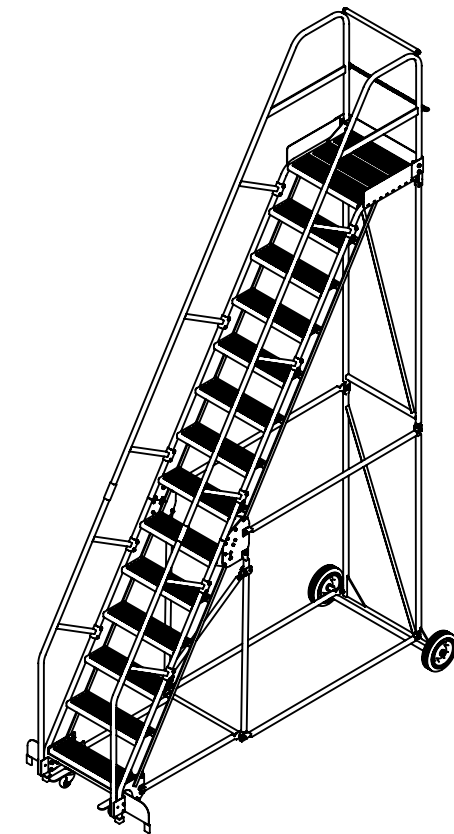
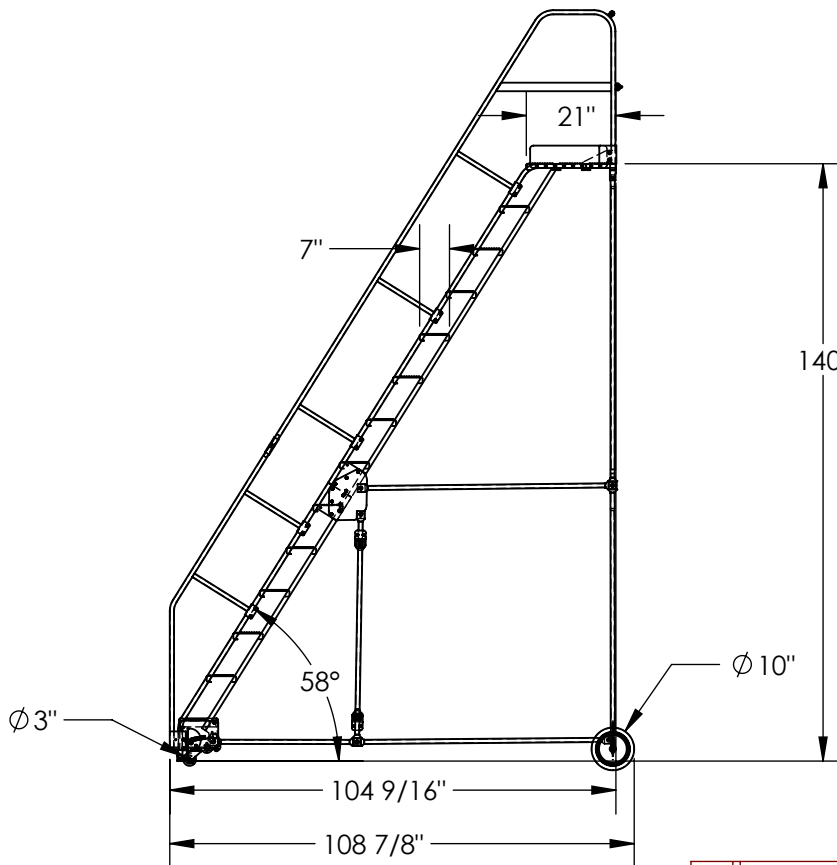
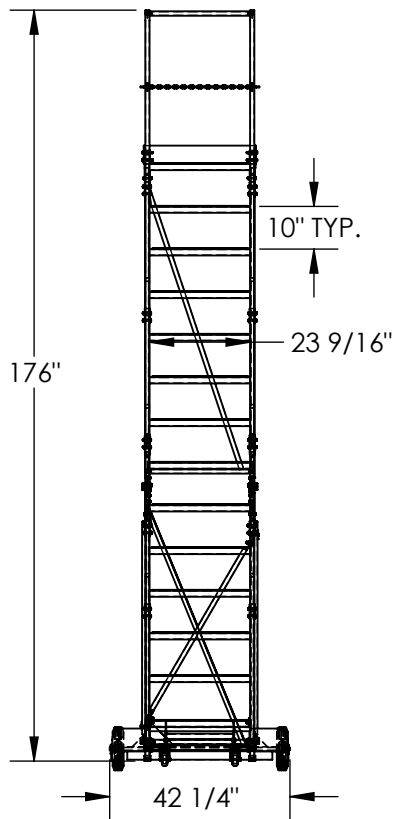


14-STEP ROLLING STEEL WAREHOUSE LADDER - LAD-14-21-P

APPROX WEIGHT: 473.39 lbs. DOES NOT INCLUDE WEIGHT OF POWER OR PACKAGING!!!

*** ANY ADDITIONS, DELETIONS, OR OMISSIONS MUST BE CORRECTED ON THIS DRAWING AS THIS DRAWING WILL BE CONSIDERED ALL INCLUSIVE ***

ALL GRAPHICS PROVIDED ARE FOR REFERENCE ONLY. IF CERTAIN DIMENSIONS ARE CRITICAL PLEASE VERIFY THOSE DIMENSIONS WITH YOUR SALESPERSON



DIMENSION TOLERANCE ± 1/4"

STANDARD FEATURES
 MODEL NUMBER IS LAD-14-21-P
 OVERALL WIDTH IS 42 1/4"
 USABLE WIDTH IS 23 9/16"
 OVERALL LENGTH IS 108 7/8"
 USABLE LENGTH IS 104 9/16"
 OVERALL HEIGHT IS 176"
 TOP STEP HEIGHT IS 140"
 STEP TYPE IS PERFORATED
 CLIMB ANGLE IS 58°
 STEP DEPTH IS 7"
 TOP STEP DEPTH IS 21"
 MAX CAPACITY IS 350 LBS
 WHEEL SIZE IS Ø10"
 FRONT WHEEL SIZE IS Ø 3"
 TOUGH BAKED IN POWDER COATED BLUE FINISH
 BOTTOM STEP HAS TOUGH BAKED IN POWDER COATED YELLOW FINISH

NOTE
 SOME ASSEMBLY REQUIRED
 TOOL TRAY SOLD SEPARATELY
 SAFETY GATE SOLD SEPARATELY

SPECIAL FEATURES
 NONE

APPROVAL

I, THE UNDERSIGNED, AGREE THAT THE PRODUCT AS REPRESENTED SATISFIES DESIGN AND DIMENSION REQUIREMENTS. I ALSO ACKNOWLEDGE MY DUTY TO CONFIRM PRODUCT AND INSTALLATION COMPLIANCE WITH ALL APPLICABLE FEDERAL, STATE AND LOCAL REGULATIONS AND STANDARDS.
ANY MODIFIED UNITS ARE NON-RETURNABLE
 As drawn As marked

Signed: _____ Date: _____
 Printed Name: _____
LEAD TIME WILL START UPON RECEIPT OF SIGNED APPROVAL DRAWING

FOR INTERNAL USE ONLY PROJECT SIGN OFF	
SALES	
ENG.	
FAB.	
POWER	

DISTRIBUTOR'S NAME:		P.O.#
VESTIL MANUFACTURING		X
DRAWN BY: BCN		W.O.#
DATE: 7/14/2016		X
REFERENCE: X	SCALE: 1:45	SALES: X
QUOTED LEAD TIME: X	QUOTE #	FILE NAME:
	X	44-007-147