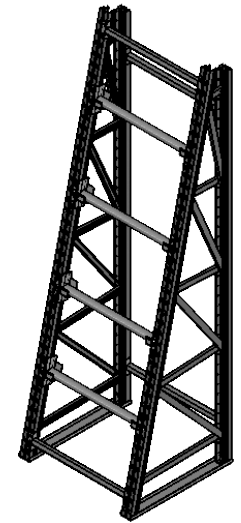
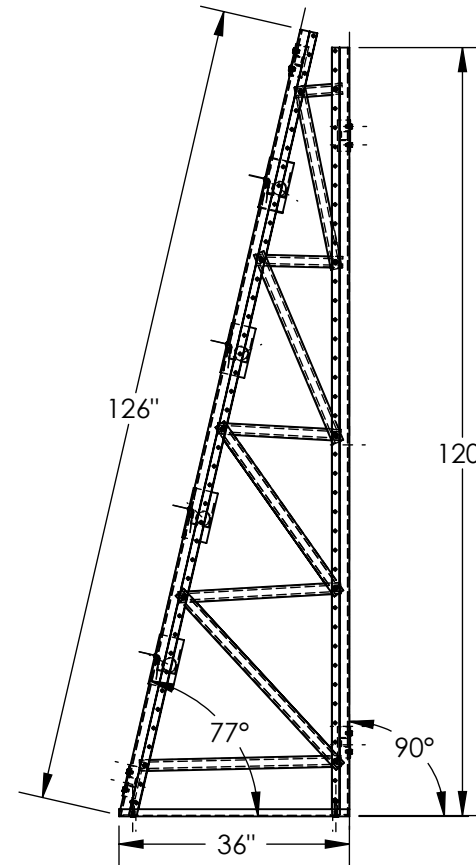
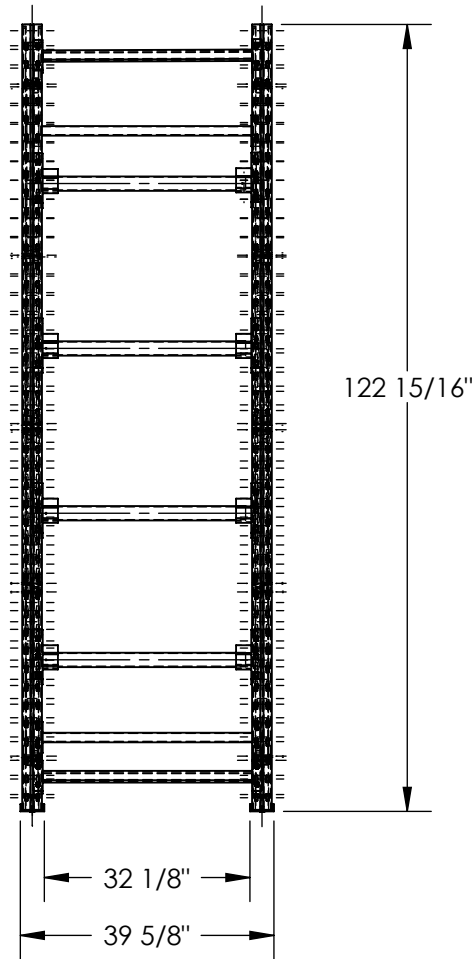


REEL RACK - RERC-3310

APPROX WEIGHT: 210.96 lbs.
DOES NOT INCLUDE WEIGHT OF POWER OR PACKAGING!!!

*** ANY ADDITIONS, DELETIONS, OR OMISSIONS MUST BE CORRECTED ON THIS DRAWING AS THIS DRAWING WILL BE CONSIDERED ALL INCLUSIVE ***

ALL GRAPHICS PROVIDED ARE FOR REFERENCE ONLY. IF CERTAIN DIMENSIONS ARE CRITICAL PLEASE VERIFY THOSE DIMENSIONS WITH YOUR SALESPERSON



DIMENSION TOLERANCE ± 1/2"

STANDARD FEATURES

- MODEL NUMBER IS RERC-3310
- OVERALL WIDTH IS 39 5/8"
- OVERALL LENGTH IS 36"
- OVERALL HEIGHT IS 122 15/16"
- MAX CAPACITY IS 6000 LBS. EVENLY DISTRIBUTED
- AXLES AND BRACKETS ARE TOUGH BAKED IN POWDER COAT ORANGE FINISH
- FRAME IS TOUGH BAKED IN POWDER COAT WHITE FINISH

BOLT TOGETHER ASSEMBLY REQUIRED. ASSEMBLY HARDWARE INCLUDED
RERC-3310 INCLUDES FOUR AXLES
ALL AXLES ARE ADJUSTABLE ALONG RACK LEGS

SPECIAL FEATURES

NONE

FOR INTERNAL USE ONLY PROJECT SIGN OFF	
SALES	
ENG.	
FAB.	
POWER	

APPROVAL

I, THE UNDERSIGNED, AGREE THAT THE PRODUCT AS REPRESENTED SATISFIES DESIGN AND DIMENSION REQUIREMENTS. I ALSO ACKNOWLEDGE MY DUTY TO CONFIRM PRODUCT AND INSTALLATION COMPLIANCE WITH ALL APPLICABLE FEDERAL, STATE AND LOCAL REGULATIONS AND STANDARDS.
ANY MODIFIED UNITS ARE NON-RETURNABLE
[] As drawn [] As marked

Signed: _____ Date: _____

Printed Name: _____

LEAD TIME WILL START UPON RECEIPT OF SIGNED APPROVAL DRAWING

DISTRIBUTOR'S NAME:		P.O.#
VESTIL MANUFACTURING		X
DRAWN BY: CA		DATE: 05/27/2014
REFERENCE: X		SCALE: 1:30
QUOTED LEAD TIME: X		QUOTE #
		X
		FILE NAME:
		31-007-193