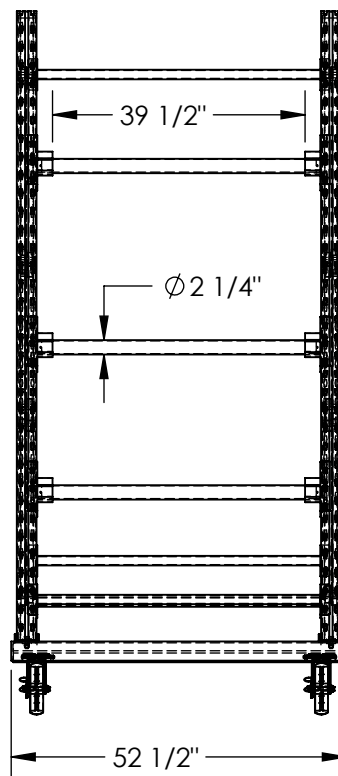
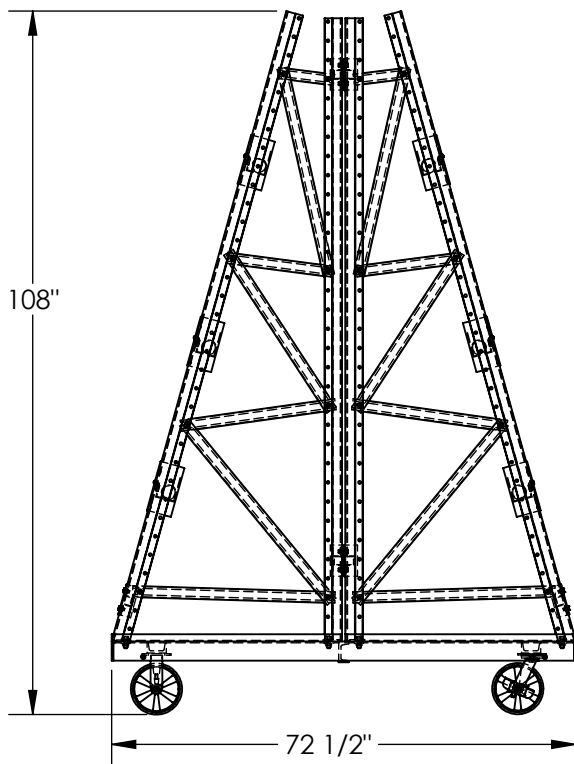
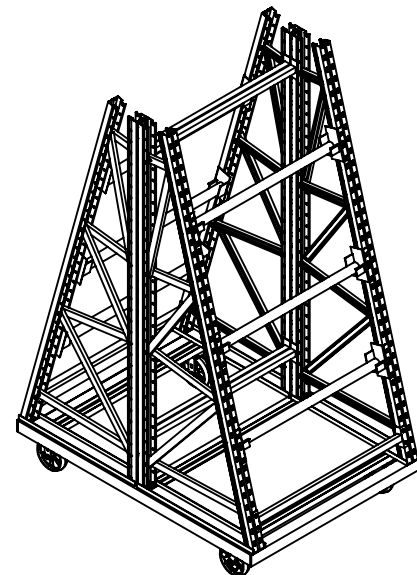


DOUBLE SIDED PORTABLE REEL RACK BASE- RERC-CT-468

APPROX WEIGHT: 613.75 lbs.
DOES NOT INCLUDE WEIGHT OF POWER OR PACKAGING!!!

ANY ADDITIONS, DELETIONS, OR OMISSIONS MUST BE CORRECTED ON THIS DRAWING AS THIS DRAWING WILL BE CONSIDERED ALL INCLUSIVE



FOR INTERNAL USE ONLY PROJECT SIGN OFF	
SALES	
ENG.	
FAB.	
POWER	

ALL GRAPHICS PROVIDED ARE FOR REFERENCE ONLY. IF CERTAIN DIMENSIONS ARE CRITICAL PLEASE VERIFY THOSE DIMENSIONS WITH YOUR SALESPERSON

STANDARD FEATURES

- MODEL NUMBER IS RERC-CT-468
- CAPACITY IS 4,000 LBS.
- OVERALL WIDTH IS 52 1/2"
- USABLE WIDTH IS 2 1/4"
- OVERALL LENGTH IS 72 1/2"
- USABLE LENGTH IS 39 1/2"
- OVERALL HEIGHT IS 108"
- USABLE REEL SIZE IS 2 1/4" X 39 1/2" LG
- INCLUDES (2) RIGID AND (2) SWIVEL W/BRAKE
- Ø8" x 2" GLASS FILLED NYLON CASTERS
- TOUGH BAKED IN POWDER COATED BLUE FINISH BASE
- TOUGH BAKED IN POWDER COATED WHITE FINISH BEAMS
- TOUGH BAKED IN POWDER COATED ORANGE FINISH AXELS

SPECIAL FEATURES

NONE

DIMENSION TOLERANCE ± 1/2"

APPROVAL	I, THE UNDERSIGNED, AGREE THAT THE PRODUCT AS REPRESENTED SATISFIES DESIGN AND DIMENSION REQUIREMENTS. I ALSO ACKNOWLEDGE MY DUTY TO CONFIRM PRODUCT AND INSTALLATION COMPLIANCE WITH ALL APPLICABLE FEDERAL, STATE AND LOCAL REGULATIONS AND STANDARDS.	
	ANY MODIFIED UNITS ARE NON-RETURNABLE	
	[] As drawn [] As marked	
	Signed: _____ Date: _____	
Printed Name: _____		
<i>LEAD TIME WILL START UPON RECEIPT OF SIGNED APPROVAL DRAWING</i>		

DISTRIBUTOR'S NAME:		P.O.#
VESTIL MANUFACTURING		X
DRAWN BY: C.A.		W.O.#
DATE: 6/4/2014		X
REFERENCE: X	SCALE: 1:30	SALES: X
QUOTED LEAD TIME: X	QUOTE #	FILE NAME:
	X	31-007-195