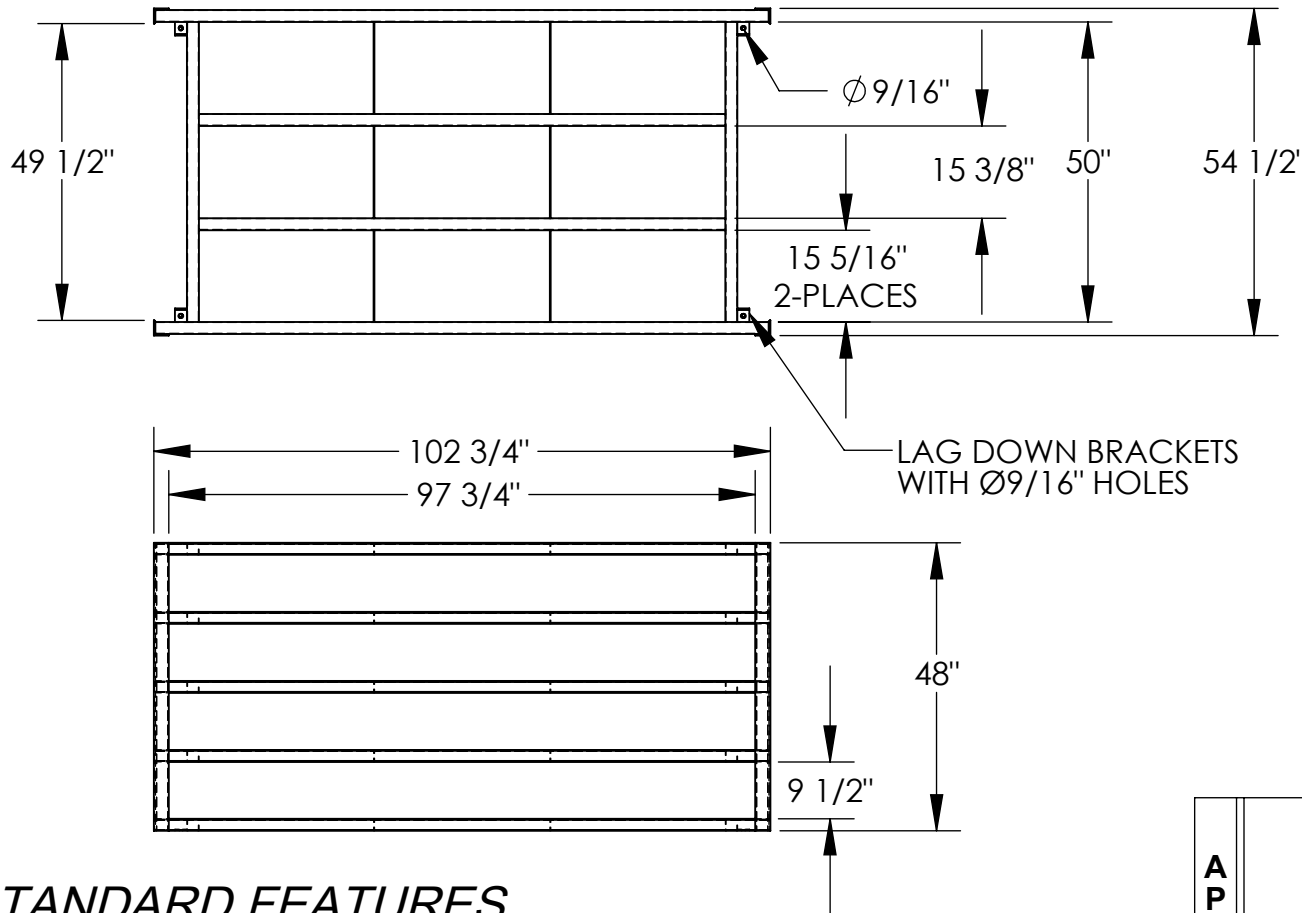


HORIZONTAL SHEET RACK - SHEET-R-57

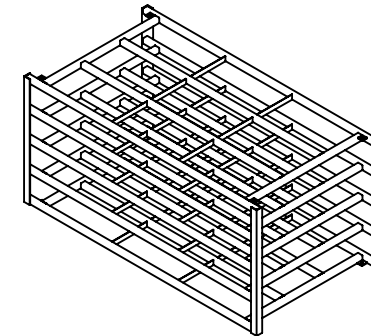
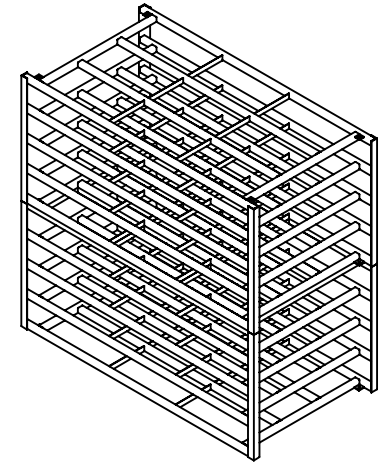
APPROX WEIGHT: 520.01 lbs.
 DOES NOT INCLUDE WEIGHT OF POWER OR PACKAGING!!!

*** ANY ADDITIONS, DELETIONS, OR OMISSIONS MUST BE CORRECTED ON THIS DRAWING AS THIS DRAWING WILL BE CONSIDERED ALL INCLUSIVE ***

ALL GRAPHICS PROVIDED ARE FOR REFERENCE ONLY. IF CERTAIN DIMENSIONS ARE CRITICAL PLEASE VERIFY THOSE DIMENSIONS WITH YOUR SALESPERSON



STACKED UNIT
 - UNITS SOLD SEPERATELY
 - MAX 2 UNITS HIGH
 - CAPACITY @ 2 HIGH IS 16,000LBS



SINGLE UNIT

DIMENSION TOLERANCE ± 1/4"

APPROVAL

I, THE UNDERSIGNED, AGREE THAT THE PRODUCT AS REPRESENTED SATISFIES DESIGN AND DIMENSION REQUIREMENTS. I ALSO ACKNOWLEDGE MY DUTY TO CONFIRM PRODUCT AND INSTALLATION COMPLIANCE WITH ALL APPLICABLE FEDERAL, STATE AND LOCAL REGULATIONS AND STANDARDS.

ANY MODIFIED UNITS ARE NON-RETURNABLE

[] As drawn [] As marked

Signed: _____ Date: _____

Printed Name: _____

LEAD TIME WILL START UPON RECEIPT OF SIGNED APPROVAL DRAWING

SPECIAL FEATURES

NONE

FOR INTERNAL USE ONLY PROJECT SIGN OFF	
SALES	
ENG.	
FAB.	
POWER	

DISTRIBUTOR'S NAME:		P.O.#
VESTIL MANUFACTURING		X
DRAWN BY: NF		W.O.#
DATE: 6/17/05		X
REFERENCE: X	SCALE: 1:24	SALES: X
QUOTED LEAD TIME: X	QUOTE #	FILE NAME:
	X	31-007-008

STANDARD FEATURES

- MODEL NUMBER IS SHEET-R-57
- CAPACITY IS 2,000 LBS. PER SHELF
- 10,000 LBS MAX FOR SINGLE UNIT
- OVERALL WIDTH IS 54 1/2"
- USABLE WIDTH IS 49 1/2"
- OVERALL LENGTH IS 102 3/4"
- USABLE LENGTH IS 97 3/4"
- OVERALL HEIGHT IS 48"
- 5 SHELVES
- 9 1/2" DISTANCE BETWEEN SHELVES
- UNIT SUPPLIED WITH LAG DOWN BRACKETS
- TOUGH BAKED IN POWDER COATED BLUE FINISH
- HARDWARE NOT INCLUDED