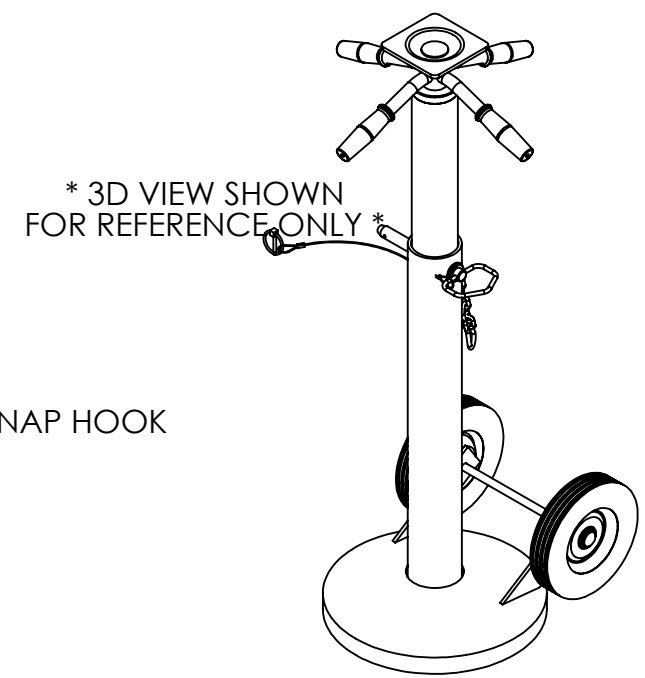
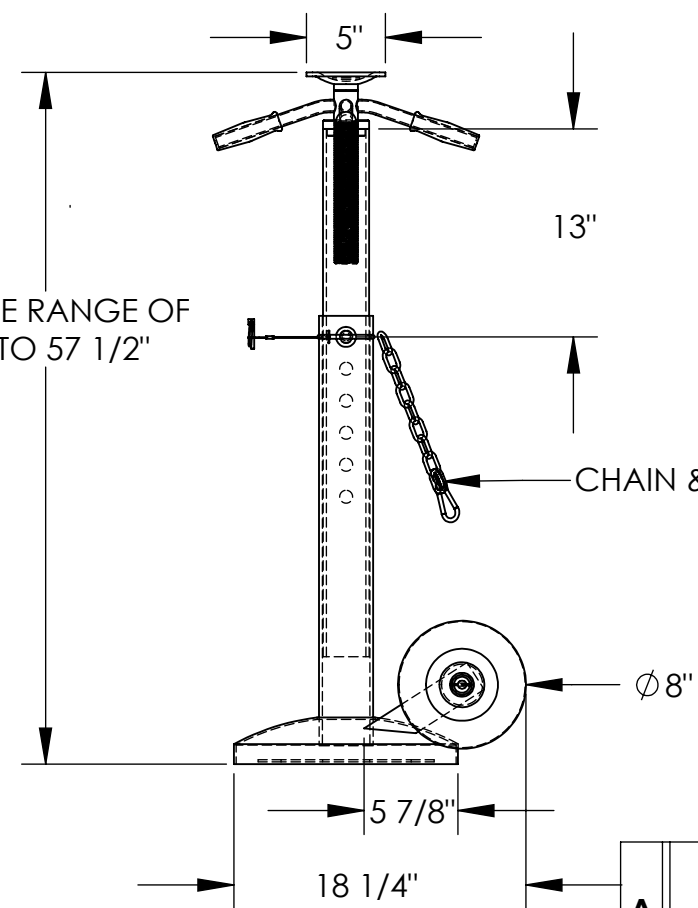
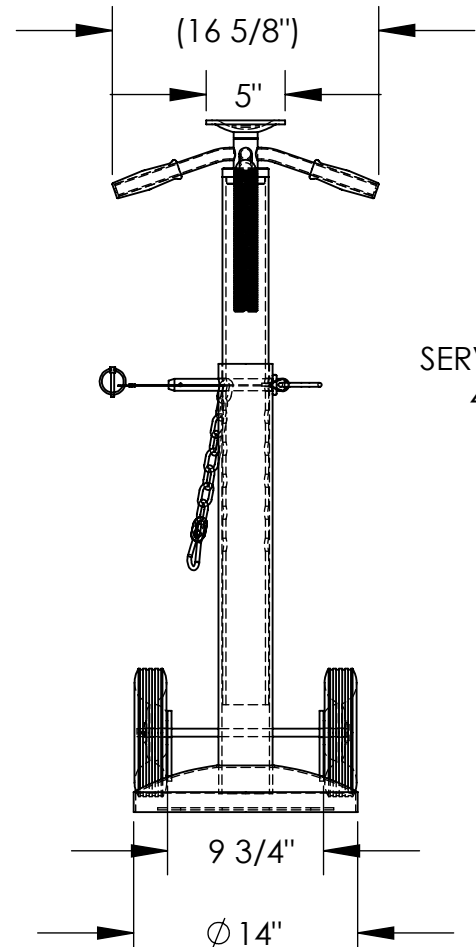


ECONOMY TRAILER STABILIZING JACK - SJ-35-EF

APPROX WEIGHT: 101.11 lbs.
DOES NOT INCLUDE WEIGHT OF POWER OR PACKAGING!!!

*** ANY ADDITIONS, DELETIONS, OR OMISSIONS MUST BE CORRECTED ON THIS DRAWING AS THIS DRAWING WILL BE CONSIDERED ALL INCLUSIVE ***

ALL GRAPHICS PROVIDED ARE FOR REFERENCE ONLY. IF CERTAIN DIMENSIONS ARE CRITICAL PLEASE VERIFY THOSE DIMENSIONS WITH YOUR SALESPERSON



SERVICE RANGE OF
41" TO 57 1/2"

* 3D VIEW SHOWN
FOR REFERENCE ONLY *

CHAIN & SNAP HOOK

Ø 8"

DIMENSION TOLERANCE ± 1/4"

STANDARD FEATURES

- MODEL NUMBER: SJ-35-EF
- OVERALL WIDTH: 16 5/8"
- OVERALL LENGTH: 18 1/4"
- SERVICE RANGE: 41" TO 57 1/2"
- STATIC CAPACITY: 50,000 LBS.
- LIFTING CAPACITY: 5,000 LBS.
- (2) - Ø 8" HARD RUBBER WHEELS
- TOP PLATE IS 5" X 5"
- ACME THREADS: 1-1/2 INCH OD
8 THREADS PER INCH
- TOUGH BAKED IN POWDER COAT
YELLOW FINISH

SPECIAL FEATURES

NONE

APPROVAL

I, THE UNDERSIGNED, AGREE THAT THE PRODUCT AS REPRESENTED SATISFIES DESIGN AND DIMENSION REQUIREMENTS. I ALSO ACKNOWLEDGE MY DUTY TO CONFIRM PRODUCT AND INSTALLATION COMPLIANCE WITH ALL APPLICABLE FEDERAL, STATE AND LOCAL REGULATIONS AND STANDARDS.

ANY MODIFIED UNITS ARE NON-RETURNABLE

[] As drawn [] As marked

Signed: _____ Date: _____

Printed Name: _____

LEAD TIME WILL START UPON RECEIPT OF SIGNED APPROVAL DRAWING

FOR INTERNAL USE ONLY PROJECT SIGN OFF	
SALES	
ENG.	
FAB.	
POWER	

DISTRIBUTOR'S NAME:		P.O.#
VESTIL MANUFACTURING		X
DRAWN BY:	DATE:	W.O.#
B.NOETHNAGEL	05/19/2015	X
REFERENCE:	SCALE:	SALES:
X	1:12	X
QUOTED LEAD TIME:	QUOTE #	FILE NAME:
X	X	13-007-015

MAXIMUM WORKING CAPACITY AT GRADE(%)								
0.00%	0.50%	1.00%	1.50%	2.00%	2.50%	3.00%	3.50%	4.00%
50,000	40,000	33,000	27,500	23,000	20,500	18,500	16,500	14,500