

# SEMI-ELECTRIC STACKER - FIXED FORKS OVER SUPPORT LEGS - SL-118-FF

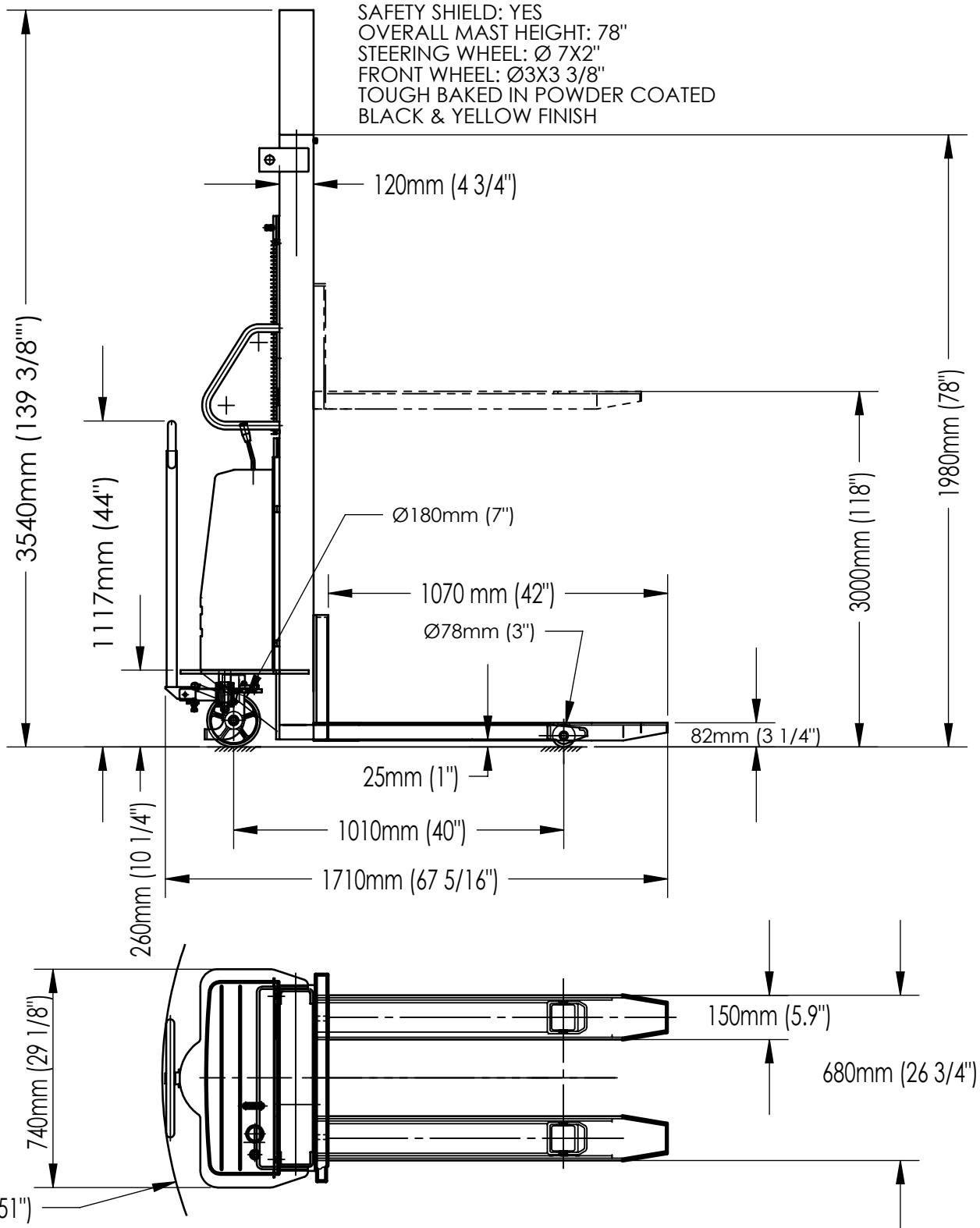
\*\*\*ANY ADDITIONS, DELETIONS, OR OMISSIONS MUST BE CORRECTED ON THIS DRAWING AS THIS DRAWING WILL BE CONSIDERED ALL INCLUSIVE\*\*\*  
 ALL GRAPHICS PROVIDED ARE FOR REFERENCE ONLY. IF CERTAIN DIMENSIONS ARE CRITICAL PLEASE VERIFY THOSE DIMENSIONS WITH YOUR SALESPERSON

### STANDARD FEATURES

- MODEL NUMBER: SL-118-FF
- CAPACITY (UDL): 2,000 LBS UP TO 62"
- CAPACITY (UDL): 1,500 LBS UP TO 118"
- LIFT HEIGHT: 118"
- LOWERED HEIGHT: 3 1/4"
- FIXED FORKS OVER SUPPORT LEGS
- MAST: DOUBLE
- SAFETY SHIELD: YES
- OVERALL MAST HEIGHT: 78"
- STEERING WHEEL: Ø 7X2"
- FRONT WHEEL: Ø3X3 3/8"
- TOUGH BAKED IN POWDER COATED BLACK & YELLOW FINISH

### SPECIAL FEATURES

None



FOR INTERNAL USE ONLY PROJECT SIGN OFF	
SALES	
ENG.	
FAB.	
POWER	

**APPROVAL**

I, THE UNDERSIGNED, AGREE THAT THE PRODUCT AS REPRESENTED SATISFIES DESIGN AND DIMENSION REQUIREMENTS. I ALSO ACKNOWLEDGE MY DUTY TO CONFIRM PRODUCT AND INSTALLATION COMPLIANCE WITH ALL APPLICABLE FEDERAL, STATE AND LOCAL REGULATIONS AND STANDARDS.  
**UNITS REQUIRING APPROVAL DRAWINGS OR MODIFIED ARE NON-RETURNABLE**  
 As drawn     As marked

Signed: \_\_\_\_\_ Date: \_\_\_\_\_  
 Printed Name: \_\_\_\_\_  
 LEAD TIME WILL START UPON RECEIPT OF SIGNED APPROVAL DRAWING

DIMENSION TOLERANCE ± 1/2"

DISTRIBUTOR'S NAME: X		P.O.# X
DRAWN BY: SJG		DATE: 6/28/2018
REFERENCE: X	SCALE: NTS	SALES: X
QUOTED LEAD TIME: X	QUOTE # X	FILE NAME: SL-118-FF