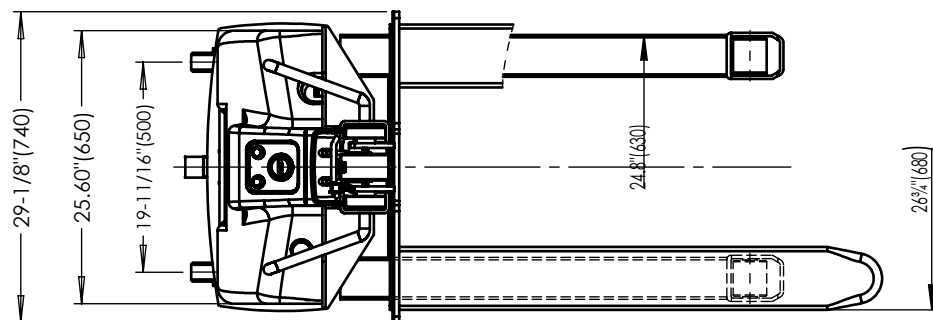
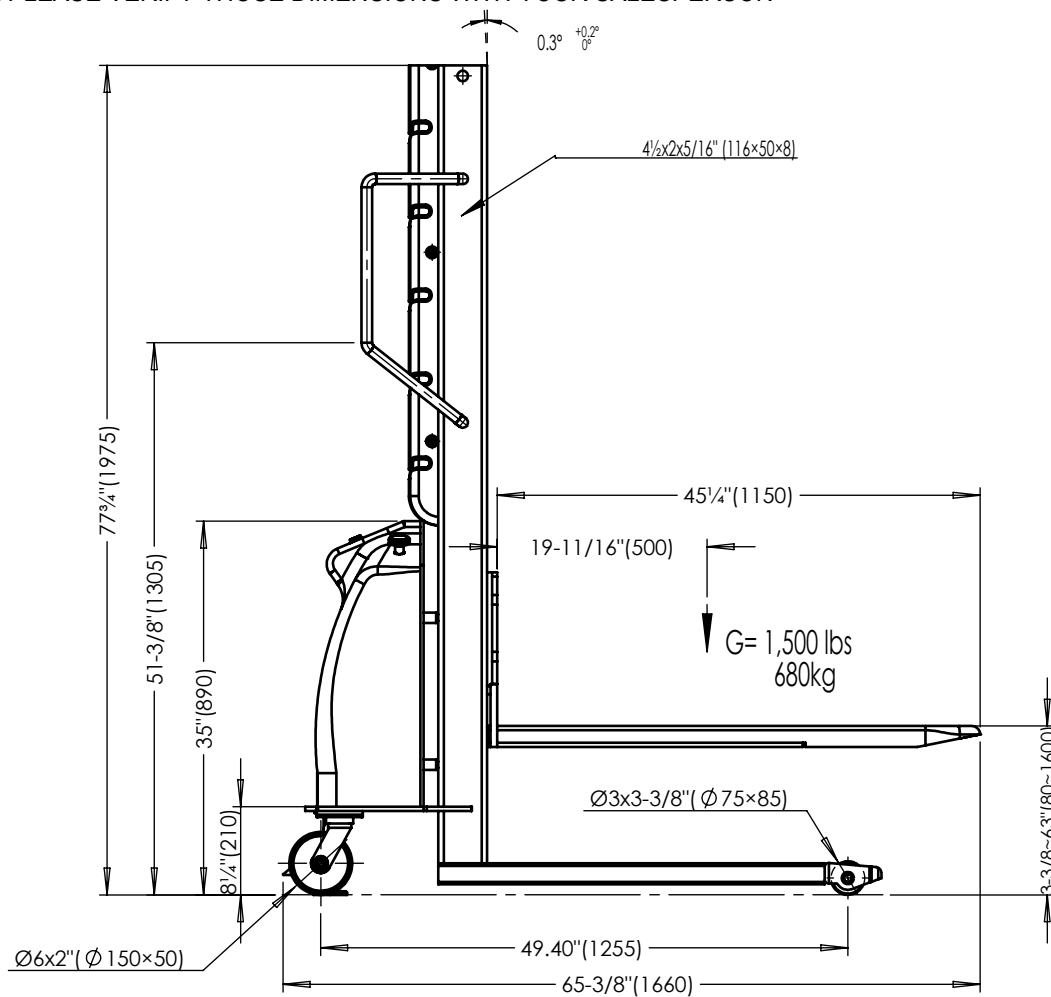


# Narrow Mast Semi-Electric Stacker with Fixed Forks over Fixed Legs - SLNM15-63-FF

\*\*\*ANY ADDITIONS, DELETIONS, OR OMISSIONS MUST BE CORRECTED ON THIS DRAWING AS THIS DRAWING WILL BE CONSIDERED ALL INCLUSIVE\*\*\*  
 ALL GRAPHICS PROVIDED ARE FOR REFERENCE ONLY. IF CERTAIN DIMENSIONS ARE CRITICAL PLEASE VERIFY THOSE DIMENSIONS WITH YOUR SALESPERSON



FOR INTERNAL USE ONLY  
PROJECT SIGN OFF

|       |  |
|-------|--|
| SALES |  |
| ENG.  |  |
| FAB.  |  |
| POWER |  |

DIMENSION TOLERANCE:  $\pm 1/2$ "

## STANDARD FEATURES

- MODEL # SLNM15-63-FF
- CAPACITY (UDL): 1,500 LBS (680 KGS)
- LIFT HEIGHT: 63" (1600mm)
- LOWERED HEIGHT: 3-3/8" (50mm)
- FIXED FORKS OVER FIXED LEGS
- OVERALL MAST HEIGHT: 78 1/2" (1920mm)
- LIFT MOTOR: DC12V/1.3KW
- BATTERY: 12V/140AH
- BATTERY CHARGER: 12V/6AMP
- TOUGH BAKED IN POWDER COATED BLACK & YELLOW FINISH
- RAISE TIME LOADED: 5.9"/s
- RAISE TIME UNLOADED: 2.95"/s
- DOWNTIME LOADED: 4"/s
- DOWNTIME UNLOADED: 3.15"/s

APPROVAL

I, THE UNDERSIGNED, AGREE THAT THE PRODUCT AS REPRESENTED SATISFIES DESIGN AND DIMENSION REQUIREMENTS. I ALSO ACKNOWLEDGE MY DUTY TO CONFIRM PRODUCT AND INSTALLATION COMPLIANCE WITH ALL APPLICABLE FEDERAL, STATE AND LOCAL REGULATIONS AND STANDARDS.  
**UNITS REQUIRING APPROVAL DRAWINGS OR MODIFIED ARE NON-RETURNABLE**  
 As drawn     As marked

Signed: \_\_\_\_\_ Date: \_\_\_\_\_

Printed Name: \_\_\_\_\_

LEAD TIME WILL START UPON RECEIPT OF SIGNED APPROVAL DRAWING

|                      |            |              |
|----------------------|------------|--------------|
| DISTRIBUTOR'S NAME:  |            | P.O.#        |
| VESTIL MANUFACTURING |            | X            |
| DRAWN BY: TM         |            | W.O.#        |
| DATE: 3/27/2019      |            | X            |
| REFERENCE: X         | SCALE: NTS | SALES: X     |
| QUOTED LEAD TIME: X  | QUOTE # X  | FILE NAME:   |
|                      |            | SLNM15-63-FF |