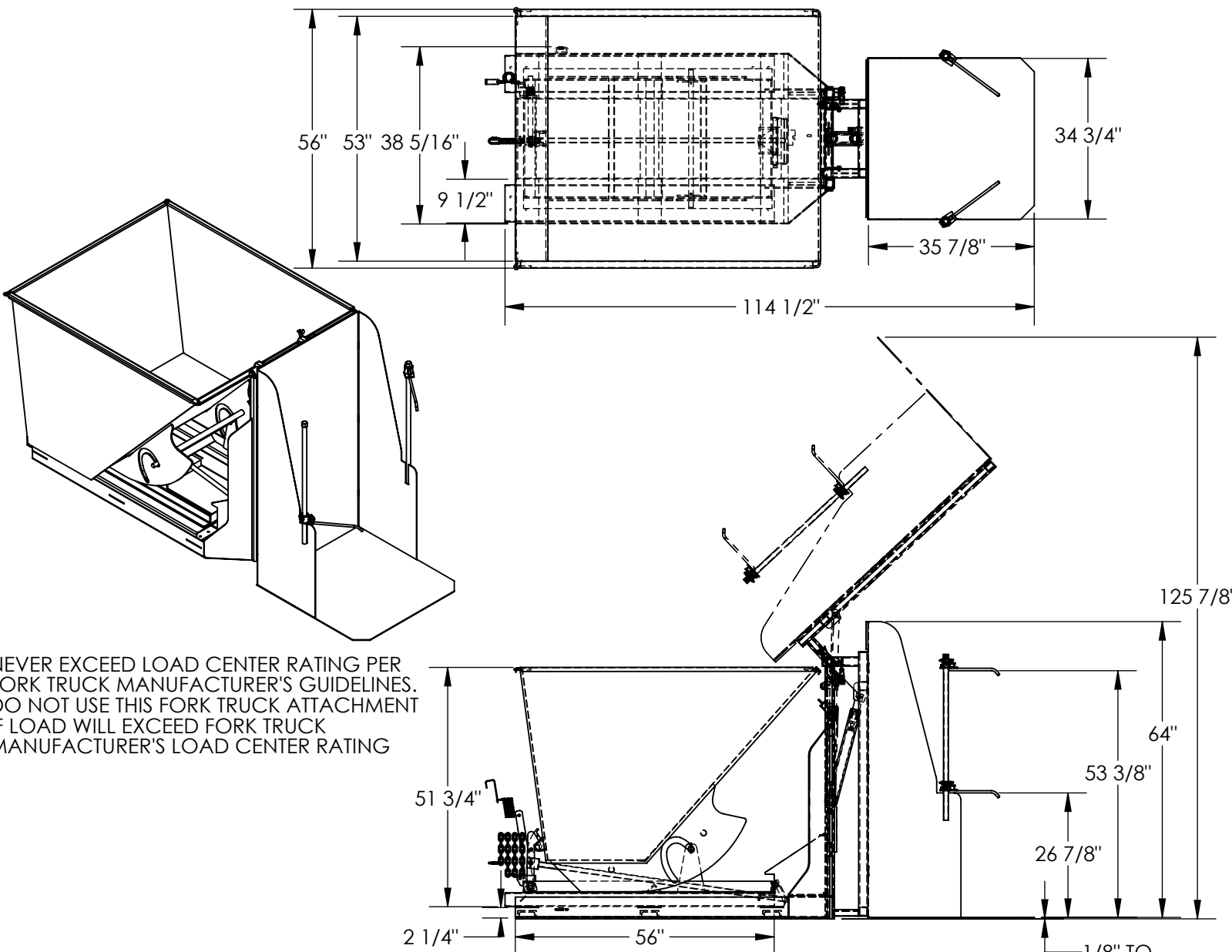


# TRASH CAN DUMPER - TCD-HLD-400-DLX

APPROX WEIGHT: 1299.67 lbs.  
 DOES NOT INCLUDE WEIGHT OF POWER OR PACKAGING!!!

\*\*\*ANY ADDITIONS, DELETIONS, OR OMISSIONS MUST BE CORRECTED ON THIS DRAWING AS THIS DRAWING WILL BE CONSIDERED ALL INCLUSIVE\*\*\*



NEVER EXCEED LOAD CENTER RATING PER FORK TRUCK MANUFACTURER'S GUIDELINES. DO NOT USE THIS FORK TRUCK ATTACHMENT IF LOAD WILL EXCEED FORK TRUCK MANUFACTURER'S LOAD CENTER RATING

ALL GRAPHICS PROVIDED ARE FOR REFERENCE ONLY. IF CERTAIN DIMENSIONS ARE CRITICAL PLEASE VERIFY THOSE DIMENSIONS WITH YOUR SALESPERSON

## STANDARD FEATURES

- MODEL NUMBER IS TCD-HLD-400-DLX
- OVERALL WIDTH IS 56"
- USABLE CHUTE WIDTH IS 34 3/4"
- USABLE HOPPER WIDTH IS 53"
- OVERALL LENGTH IS 114 1/2"
- USABLE CHUTE LENGTH IS 35 7/8"
- LOWERED HEIGHT IS 64"
- OVERALL ROTATED HEIGHT IS 125 7/8"
- MAX CAPACITY IS 400 LBS.
- DURABLE LIQUID PAINT YELLOW FINISH
- D-200-LD HOPPER INCLUDED
- POWER UNIT: 12 V DC WITH ON-BOARD CHARGER
- CONTROL: HAND

## SPECIAL FEATURES

NONE

DIMENSION TOLERANCE ± 1/4"

I, THE UNDERSIGNED, AGREE THAT THE PRODUCT AS REPRESENTED SATISFIES DESIGN AND DIMENSION REQUIREMENTS. I ALSO ACKNOWLEDGE MY DUTY TO CONFIRM PRODUCT AND INSTALLATION COMPLIANCE WITH ALL APPLICABLE FEDERAL, STATE AND LOCAL REGULATIONS AND STANDARDS.

**ANY MODIFIED UNITS ARE NON-RETURNABLE**

As drawn       As marked

Signed: \_\_\_\_\_ Date: \_\_\_\_\_

Printed Name: \_\_\_\_\_

*LEAD TIME WILL START UPON RECEIPT OF SIGNED APPROVAL DRAWING*

FOR INTERNAL USE ONLY PROJECT SIGN OFF		DISTRIBUTOR'S NAME: <b>VESTIL MANUFACTURING</b>		P.O.# X
SALES		DRAWN BY: <b>JWW</b>		W.O.# X
ENG.		DATE: <b>6/6/19</b>	SALES: X	FILE NAME:
FAB.		REFERENCE: X	SCALE: 1:32	34-007-047
POWER		QUOTED LEAD TIME: X	QUOTE # X	