

ELECTRIC HYDRAULIC TRASH CAN DUMPER - TCD-M-72-DC

APPROX WEIGHT: 699.40 lbs.
 DOES NOT INCLUDE WEIGHT OF POWER OR PACKAGING!!!

*** ANY ADDITIONS, DELETIONS, OR OMISSIONS MUST BE CORRECTED ON THIS DRAWING AS THIS DRAWING WILL BE CONSIDERED ALL INCLUSIVE ***
 ALL GRAPHICS PROVIDED ARE FOR REFERENCE ONLY. IF CERTAIN DIMENSIONS ARE CRITICAL PLEASE VERIFY THOSE DIMENSIONS WITH YOUR SALESPERSON

STANDARD FEATURES

MODEL NUMBER: TCD-M-72-DC
 USABLE CHUTE WIDTH: 20" MIN TO 27" MAX
 USAGE CHUTE LENGTH: 27 1/8"

OVERALL LENGTH: 87 5/8"
 OVERALL WIDTH: 46 1/16"
 OVERALL HEIGHT: 89 9/16"

OVERALL ROTATED HEIGHT: 155 5/16"
 MAXIMUM ROTATED ANGLE: 45°
 DUMP HEIGHT: 72 3/8"

WORKS WITH MODEL# TH-32/64/95

UNIFORM CAPACITY IS 400 LBS

CASTERS:
 FRONT: 8" X 2" GFN SWIVEL
 REAR: 8" X 2" GFN RIGID

TWO ADJUSTABLE FLOOR LOCKS

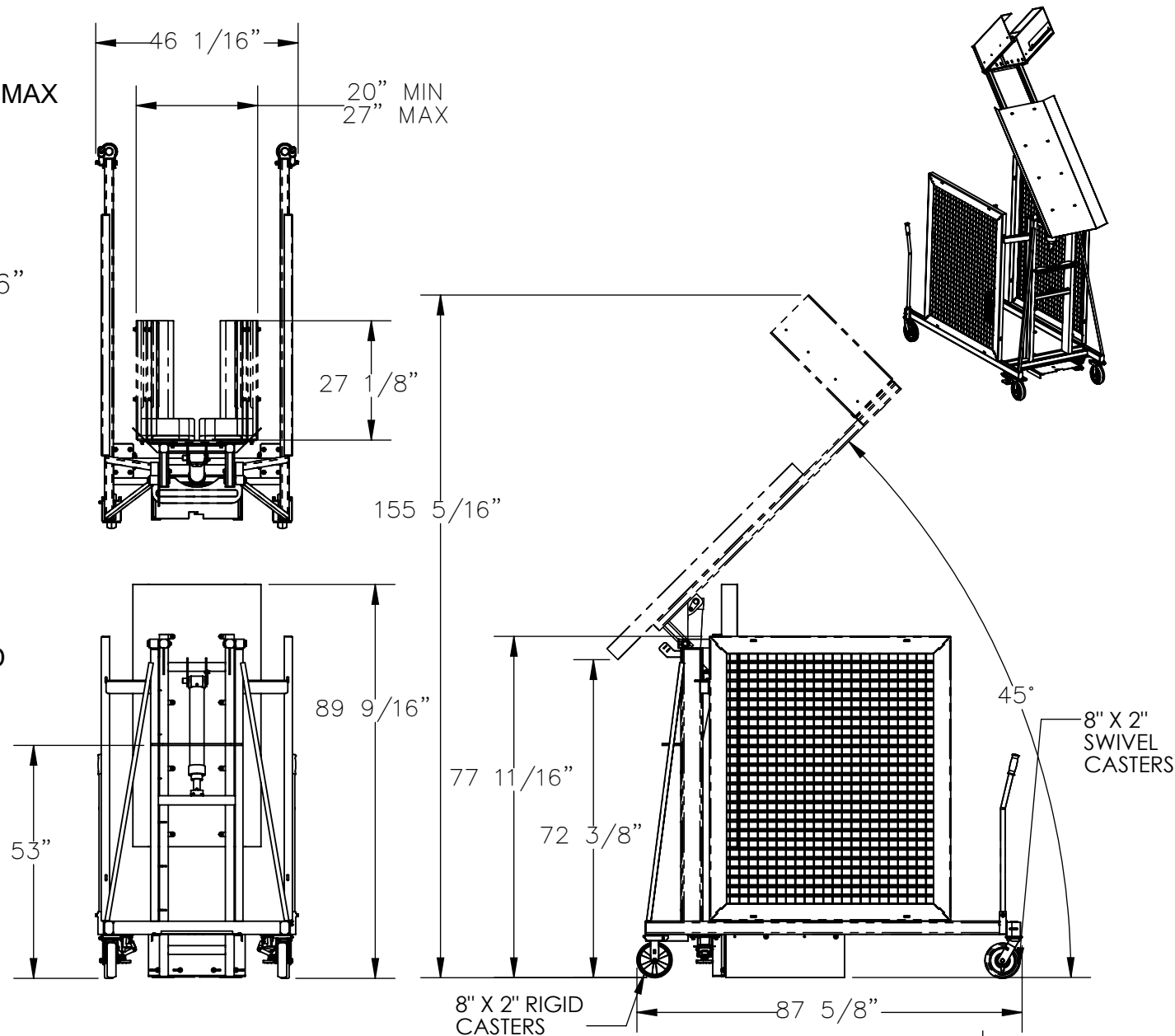
POWER UNIT: 12 V DC WITH ON-BOARD CHARGER
 CONTROL: HAND

FRAME IS DURABLE LIQUID PAINT BLUE FINISH
 CHUTE IS DURABLE LIQUID AINT YELLOW FINISH

SPECIAL FEATURES

NONE

DIMENSION TOLERANCE ± 1/4"



APPROVAL

I, THE UNDERSIGNED, AGREE THAT THE PRODUCT AS REPRESENTED SATISFIES DESIGN AND DIMENSION REQUIREMENTS. I ALSO ACKNOWLEDGE MY DUTY TO CONFIRM PRODUCT AND INSTALLATION COMPLIANCE WITH ALL APPLICABLE FEDERAL, STATE AND LOCAL REGULATIONS AND STANDARDS.

ANY MODIFIED UNITS ARE NON-RETURNABLE
 As drawn As marked

Signed: _____ Date: _____
 Printed Name: _____
 LEAD TIME WILL START UPON RECEIPT OF SIGNED APPROVAL DRAWING

FOR INTERNAL USE ONLY PROJECT SIGN OFF	
SALES	
ENG.	
FAB.	
POWER	

DISTRIBUTOR'S NAME:
VESTIL MANUFACTURING

DRAWN BY: SJA DATE: 7/28/2016

REFERENCE: X SCALE: 1:36

QUOTED LEAD TIME: X QUOTE # X

P.O.# X
 W.O.# X
 SALES: X
 FILE NAME:
 34-007-031