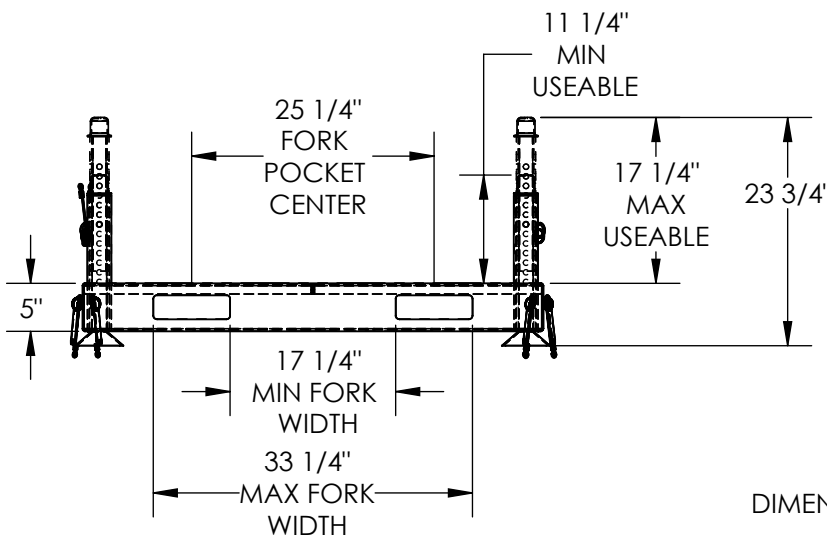
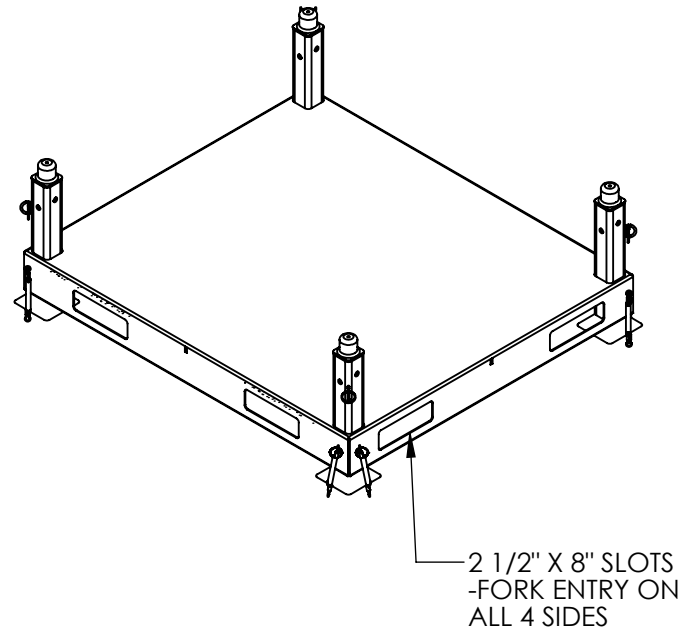
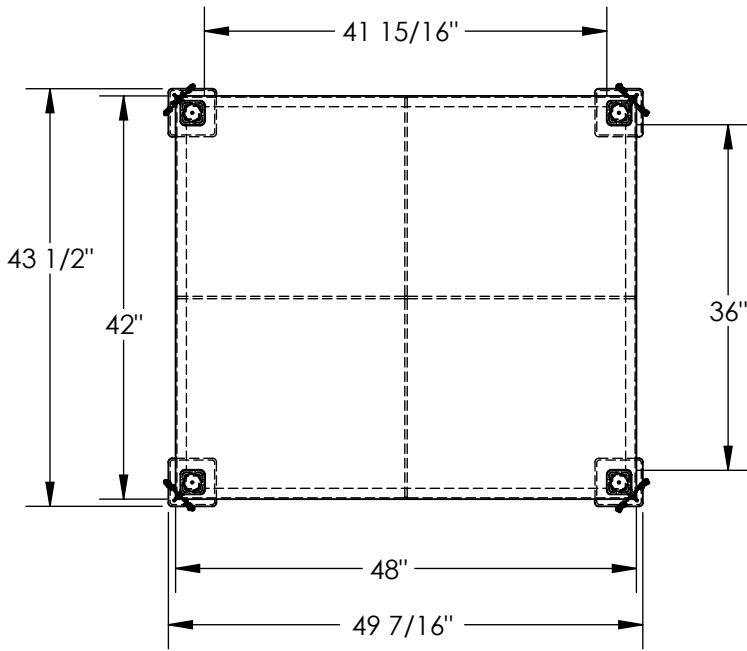


ADJUSTABLE VERSA RACK - V-1

APPROX WEIGHT: 166.17 lbs.
DOES NOT INCLUDE WEIGHT OF POWER OR PACKAGING!!!

ANY ADDITIONS, DELETIONS, OR OMISSIONS MUST BE CORRECTED ON THIS DRAWING AS THIS DRAWING WILL BE CONSIDERED ALL INCLUSIVE



DIMENSION TOLERANCE $\pm 1/4"$

FOR INTERNAL USE ONLY PROJECT SIGN OFF	
SALES	
ENG.	
FAB.	
POWER	

ALL GRAPHICS PROVIDED ARE FOR REFERENCE ONLY. IF CERTAIN DIMENSIONS ARE CRITICAL PLEASE VERIFY THOSE DIMENSIONS WITH YOUR SALESPERSON

STANDARD FEATURES

- MODEL NUMBER IS: V-1
- DECK WIDTH IS: 48"
- DECK DEPTH IS: 42"
- DECK HEIGHT IS: 5"
- OVERALL WIDTH IS: 49 7/16"
- OVERALL DEPTH IS: 43 1/2"
- OVERALL HEIGHT IS: 23 3/4"
- ADJUSTABLE HEIGHT POSTS 1" INCREMENTS
 - MIN USEABLE SPACE IS: 11-1/4"
 - MAX USEABLE SPACE IS: 17-1/4"
- 4 WAY FORK ENTRY
 - MIN FORK WIDTH IS: 17-1/4"
 - MAX FORK WIDTH IS: 33-1/4"
- MAX LOADING CAPACITY IS: 4,000 lbs

SPECIAL FEATURES

NONE

APPROVAL

I, THE UNDERSIGNED, AGREE THAT THE PRODUCT AS REPRESENTED SATISFIES DESIGN AND DIMENSION REQUIREMENTS. I ALSO ACKNOWLEDGE MY DUTY TO CONFIRM PRODUCT AND INSTALLATION COMPLIANCE WITH ALL APPLICABLE FEDERAL, STATE AND LOCAL REGULATIONS AND STANDARDS.

ANY MODIFIED UNITS ARE NON-RETURNABLE

[] As drawn [] As marked

Signed: _____ Date: _____

Printed Name: _____

LEAD TIME WILL START UPON RECEIPT OF SIGNED APPROVAL DRAWING

DISTRIBUTOR'S NAME:		P.O.#
VESTIL MANUFACTURING		X
DRAWN BY: JR		W.O.#
DATE: 10/14/2009		X
REFERENCE: X	SCALE: 1:20	SALES: X
QUOTED LEAD TIME: X	QUOTE #	FILE NAME:
	X	31-007-109