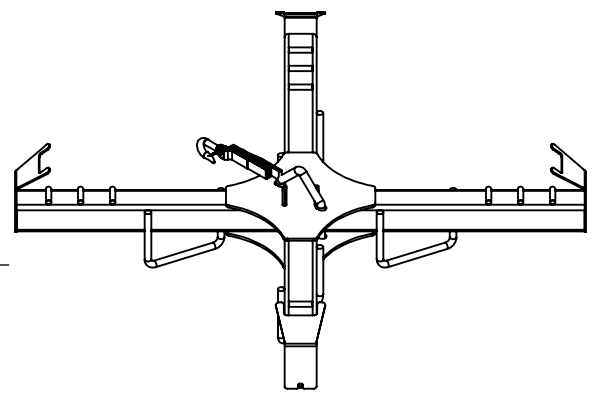
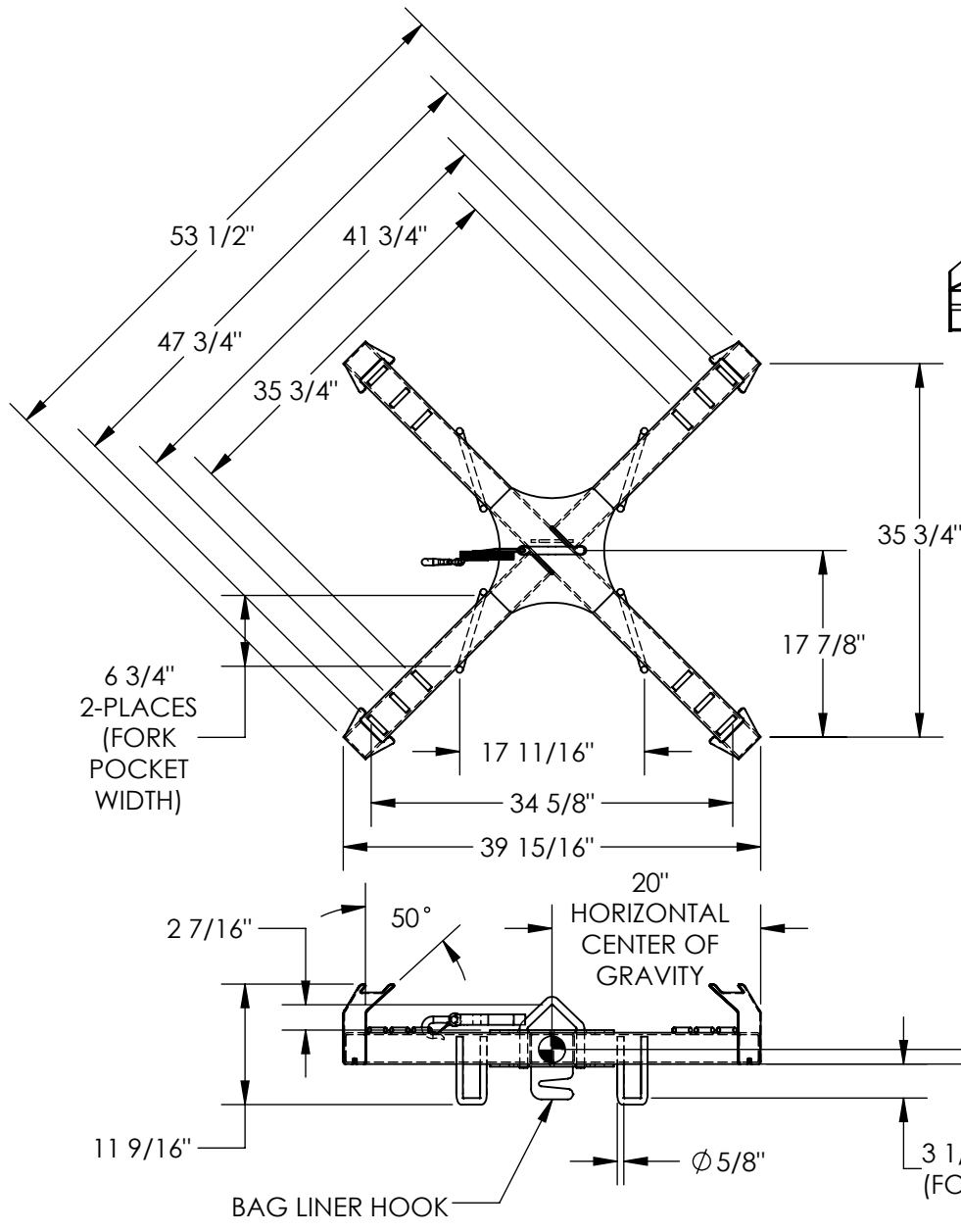


# BULK BAG LIFTER - BBL-4

APPROX WEIGHT: 90.48 lbs.  
 DOES NOT INCLUDE WEIGHT OF POWER OR PACKAGING!!!

\*\*\*ANY ADDITIONS, DELETIONS, OR OMISSIONS MUST BE CORRECTED ON THIS DRAWING AS THIS DRAWING WILL BE CONSIDERED ALL INCLUSIVE\*\*\*



APPROX. WEIGHT / LOST LOAD = 91 LBS.  
 CAPACITY = 4,000 # EVENLY DISTRIBUTED  
 NEVER EXCEED LOAD CENTER RATING PER  
 FORK TRUCK MANUFACTURER'S GUIDELINES.  
 EFFECTIVE THICKNESS WILL VARY DEPENDING  
 ON APPLICATION & TYPE OF FORK TRUCK

FOR INTERNAL USE ONLY	
PROJECT SIGN OFF	
SALES	
ENG.	
FAB.	
POWER	

ALL GRAPHICS PROVIDED ARE FOR REFERENCE ONLY. IF CERTAIN DIMENSIONS ARE CRITICAL PLEASE VERIFY THOSE DIMENSIONS WITH YOUR SALESPERSON

## STANDARD FEATURES

- MODEL NUMBER IS BBL-4
- CAPACITY IS 4,000 LBS
- EVENLY DISTRIBUTED
- WELDED STEEL CONSTRUCTION
- OVERALL WIDTH IS 53 1/2"
- USABLE WIDTH IS UP TO 47 3/4"
- DEPENDING ON BAG STRAPS
- OVERALL LENGTH IS 39 15/16"
- USABLE LENGTH IS 34 5/8"
- OVERALL HEIGHT IS 11 9/16"
- BAG LINER HOOK
- INCLUDES 48 1/2" LG FORK
- TRUCK RESTRAINT STRAP
- TOUGH BAKED IN POWDERCOATED BLUE FINISH

## SPECIAL FEATURES

NONE

DIMENSION TOLERANCE ± 1/4"

<b>APPROVAL</b>	I, THE UNDERSIGNED, AGREE THAT THE PRODUCT AS REPRESENTED SATISFIES DESIGN AND DIMENSION REQUIREMENTS. I ALSO ACKNOWLEDGE MY DUTY TO CONFIRM PRODUCT AND INSTALLATION COMPLIANCE WITH ALL APPLICABLE FEDERAL, STATE AND LOCAL REGULATIONS AND STANDARDS.	
	<b>UNITS REQUIRING APPROVAL DRAWINGS OR MODIFIED ARE NON-RETURNABLE</b>	
	[ ] As drawn [ ] As marked	
	Signed: _____	Date: _____
Printed Name: _____		
LEAD TIME WILL START UPON RECEIPT OF SIGNED APPROVAL DRAWING		

DISTRIBUTOR'S NAME:		P.O.#
VESTIL MANUFACTURING		X
DRAWN BY: RAL		W.O.#
DATE: 06/17/2014		X
REFERENCE: X	SCALE: 1:18	SALES: X
QUOTED LEAD TIME: X	QUOTE # X	FILE NAME:
		47-007-011