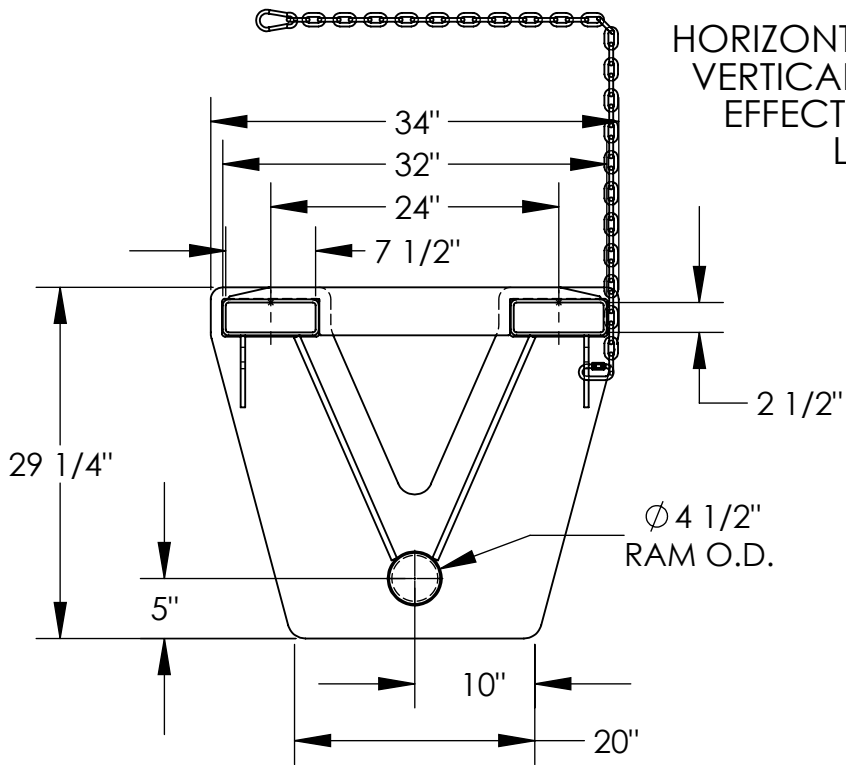


# FORK MOUNTED COIL RAM - CCF-36-4

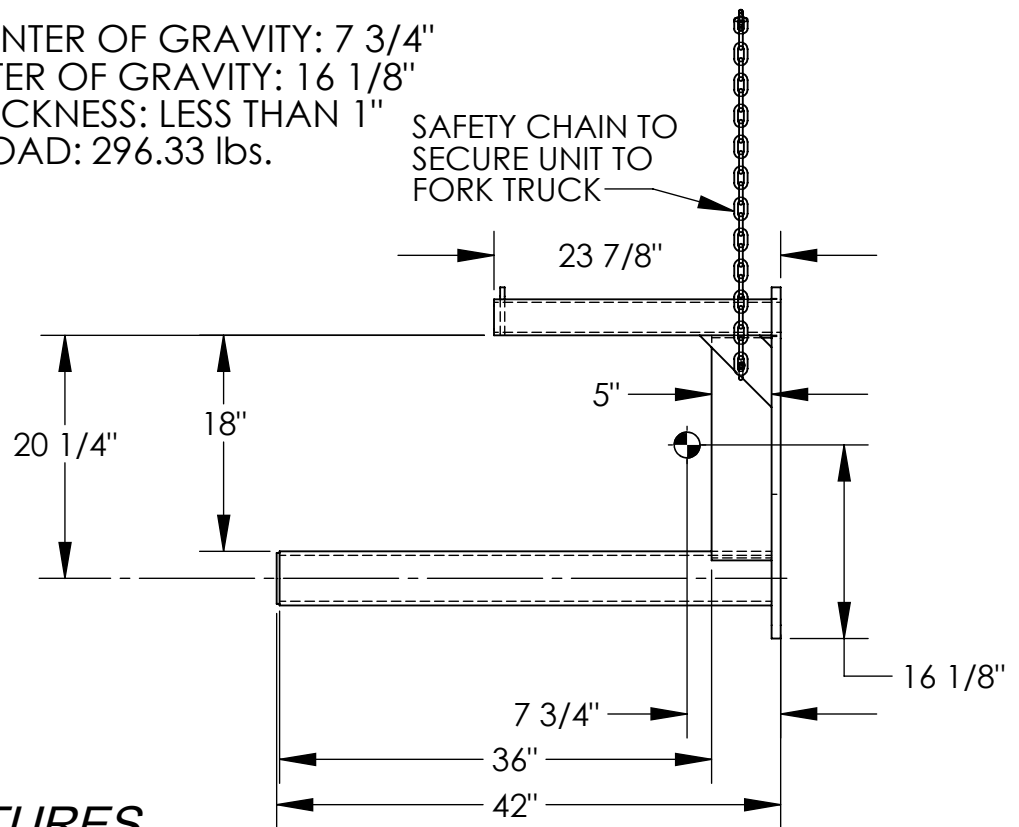
APPROX WEIGHT: 296.33 lbs.  
DOES NOT INCLUDE WEIGHT OF POWER OR PACKAGING!!!

\*\*\* ANY ADDITIONS, DELETIONS, OR OMISSIONS MUST BE CORRECTED ON THIS DRAWING AS THIS DRAWING WILL BE CONSIDERED ALL INCLUSIVE \*\*\*

ALL GRAPHICS PROVIDED ARE FOR REFERENCE ONLY. IF CERTAIN DIMENSIONS ARE CRITICAL PLEASE VERIFY THOSE DIMENSIONS WITH YOUR SALESPERSON



HORIZONTAL CENTER OF GRAVITY: 7 3/4"  
VERTICAL CENTER OF GRAVITY: 16 1/8"  
EFFECTIVE THICKNESS: LESS THAN 1"  
LOST LOAD: 296.33 lbs.



SAFETY CHAIN TO SECURE UNIT TO FORK TRUCK

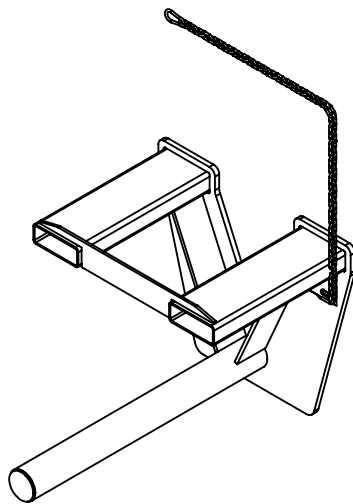
DIMENSION TOLERANCE  $\pm 1/4$ "

## STANDARD FEATURES

- MODEL NUMBER IS CCF-36-4
- OVERALL WIDTH IS 34"
- OVERALL HEIGHT IS 29 1/4"
- USABLE RAM LENGTH IS 36"
- RAM O.D. IS 4 1/2"
- UNIFORM CAPACITY IS 3,000 LBS.
- STANDARD FORK POCKETS ARE 7 1/2" W x 2 1/2" H USABLE ON 24" CENTERS
- DURABLE LIQUID PAINT BLUE FINISH

## SPECIAL FEATURES

NONE



3-D VIEW SHOWN FOR REFERENCE ONLY  
SCALE: 1:24

<b>APPROVAL</b>	I, THE UNDERSIGNED, AGREE THAT THE PRODUCT AS REPRESENTED SATISFIES DESIGN AND DIMENSION REQUIREMENTS. I ALSO ACKNOWLEDGE MY DUTY TO CONFIRM PRODUCT AND INSTALLATION COMPLIANCE WITH ALL APPLICABLE FEDERAL, STATE AND LOCAL REGULATIONS AND STANDARDS.	
	<b>ANY MODIFIED UNITS ARE NON-RETURNABLE</b>	
	[ ] As drawn      [ ] As marked	
Signed: _____		Date: _____
Printed Name: _____		
LEAD TIME WILL START UPON RECEIPT OF SIGNED APPROVAL DRAWING		

FOR INTERNAL USE ONLY PROJECT SIGN OFF	
SALES	
ENG.	
FAB.	
POWER	

DISTRIBUTOR'S NAME:		P.O.#
VESTIL MANUFACTURING		X
DRAWN BY: B. NOTHNAGEL		DATE: 8/1/2015
REFERENCE: X	SCALE: 1:16	W.O.# X
QUOTED LEAD TIME: X	QUOTE # X	SALES: X
		FILE NAME: 08-007-263