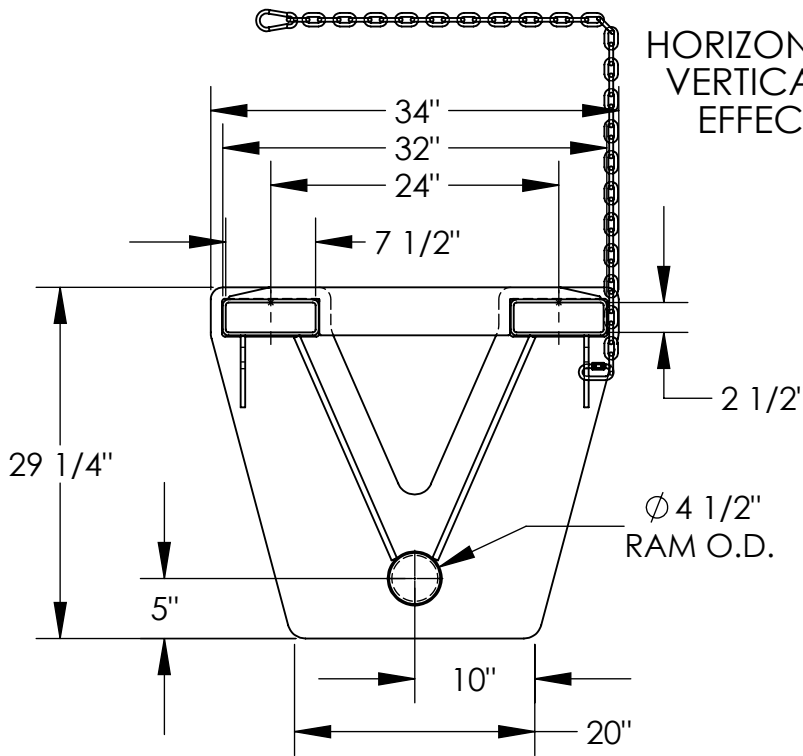


# FORK MOUNTED COIL RAM - CCF-48-4

APPROX WEIGHT: 311.33 lbs.  
DOES NOT INCLUDE WEIGHT OF POWER OR PACKAGING!!!

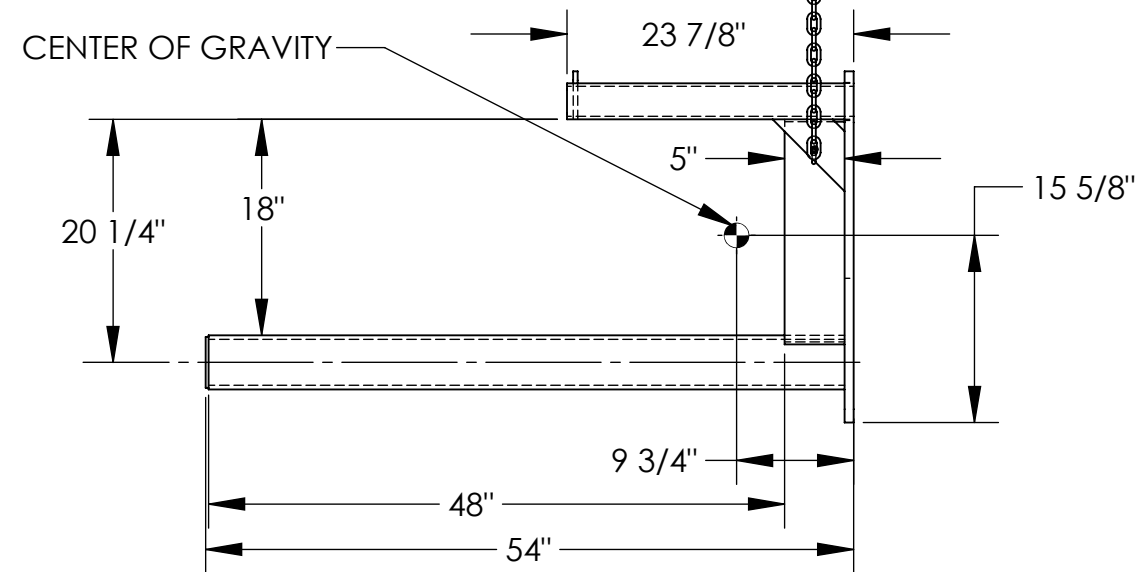
\*\*\* ANY ADDITIONS, DELETIONS, OR OMISSIONS MUST BE CORRECTED ON THIS DRAWING AS THIS DRAWING WILL BE CONSIDERED ALL INCLUSIVE \*\*\*

ALL GRAPHICS PROVIDED ARE FOR REFERENCE ONLY. IF CERTAIN DIMENSIONS ARE CRITICAL PLEASE VERIFY THOSE DIMENSIONS WITH YOUR SALESPERSON



HORIZONTAL CENTER OF GRAVITY: 9 3/4"  
VERTICAL CENTER OF GRAVITY: 15 5/8"  
EFFECTIVE THICKNESS: LESS THAN 1"  
LOST LOAD: 311.33 lbs.

SAFETY CHAIN TO SECURE UNIT TO FORK TRUCK

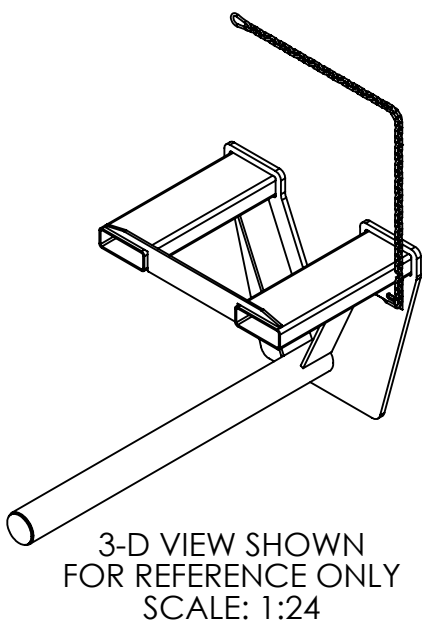


## STANDARD FEATURES

- MODEL NUMBER IS CCF-48-4
- OVERALL WIDTH IS 34"
- OVERALL HEIGHT IS 29 1/4"
- USABLE RAM LENGTH IS 48"
- RAM O.D. IS 4 1/2"
- UNIFORM CAPACITY IS 3,000 LBS.
- STANDARD FORK POCKETS ARE 7 1/2" W x 2 1/2" H USABLE ON 24" CENTERS
- DURABLE LIQUID PAINT BLUE FINISH

## SPECIAL FEATURES

NONE



3-D VIEW SHOWN FOR REFERENCE ONLY  
SCALE: 1:24

## DIMENSION TOLERANCE ± 1/4"

<b>APPROVAL</b>	I, THE UNDERSIGNED, AGREE THAT THE PRODUCT AS REPRESENTED SATISFIES DESIGN AND DIMENSION REQUIREMENTS. I ALSO ACKNOWLEDGE MY DUTY TO CONFIRM PRODUCT AND INSTALLATION COMPLIANCE WITH ALL APPLICABLE FEDERAL, STATE AND LOCAL REGULATIONS AND STANDARDS.	
	<b>ANY MODIFIED UNITS ARE NON-RETURNABLE</b>	
	[ ] As drawn      [ ] As marked	
	Signed: _____	Date: _____
Printed Name: _____		
<b>LEAD TIME WILL START UPON RECEIPT OF SIGNED APPROVAL DRAWING</b>		

FOR INTERNAL USE ONLY PROJECT SIGN OFF		DISTRIBUTOR'S NAME:		P.O.#
SALES		<b>VESTIL MANUFACTURING</b>		X
ENG.		DRAWN BY: B. NOTHNAGEL	DATE: 8/1/2015	W.O.# X
FAB.		REFERENCE: X	SCALE: 1:16	SALES: X
POWER		QUOTED LEAD TIME: X	QUOTE # X	FILE NAME: 08-007-264