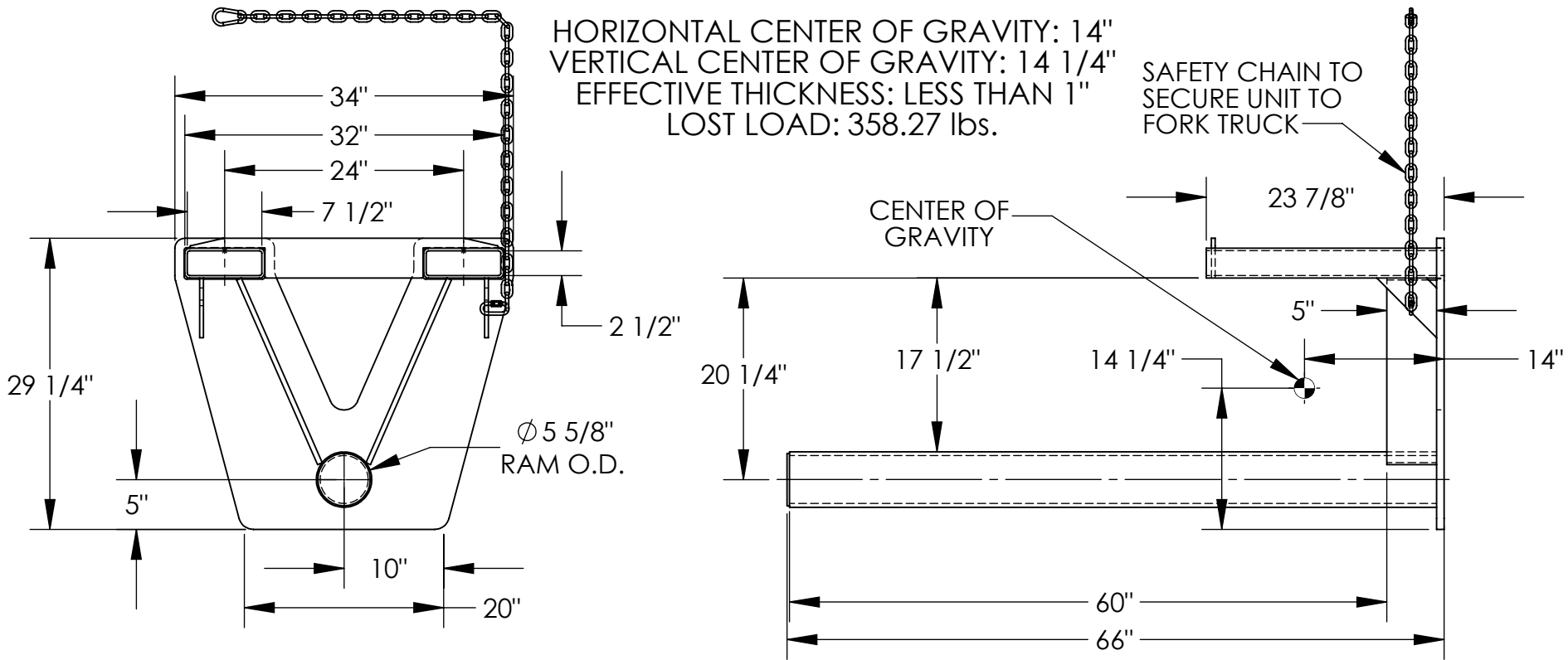


FORK MOUNTED COIL RAM - CCF-60-5

APPROX WEIGHT: 358.27 lbs.
DOES NOT INCLUDE WEIGHT OF POWER OR PACKAGING!!!

*** ANY ADDITIONS, DELETIONS, OR OMISSIONS MUST BE CORRECTED ON THIS DRAWING AS THIS DRAWING WILL BE CONSIDERED ALL INCLUSIVE ***

ALL GRAPHICS PROVIDED ARE FOR REFERENCE ONLY. IF CERTAIN DIMENSIONS ARE CRITICAL PLEASE VERIFY THOSE DIMENSIONS WITH YOUR SALESPERSON



HORIZONTAL CENTER OF GRAVITY: 14"
VERTICAL CENTER OF GRAVITY: 14 1/4"
EFFECTIVE THICKNESS: LESS THAN 1"
LOST LOAD: 358.27 lbs.

SAFETY CHAIN TO SECURE UNIT TO FORK TRUCK

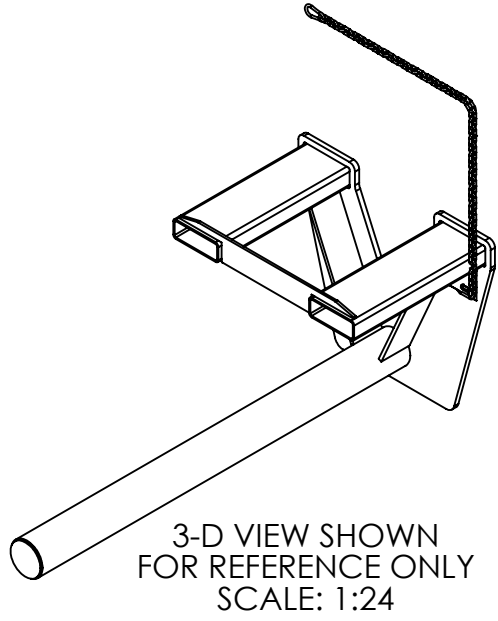
CENTER OF GRAVITY

STANDARD FEATURES

- MODEL NUMBER IS CCF-60-5
- OVERALL WIDTH IS 34"
- OVERALL HEIGHT IS 29 1/4"
- USABLE RAM LENGTH IS 60"
- RAM O.D. IS 5 5/8"
- UNIFORM CAPACITY IS 5,500 LBS.
- STANDARD FORK POCKETS ARE 7 1/2" W x 2 1/2" H USABLE ON 24" CENTERS
- DURABLE LIQUID PAINT BLUE FINISH

SPECIAL FEATURES

NONE



3-D VIEW SHOWN FOR REFERENCE ONLY
SCALE: 1:24

DIMENSION TOLERANCE ± 1/4"

APPROVAL	I, THE UNDERSIGNED, AGREE THAT THE PRODUCT AS REPRESENTED SATISFIES DESIGN AND DIMENSION REQUIREMENTS. I ALSO ACKNOWLEDGE MY DUTY TO CONFIRM PRODUCT AND INSTALLATION COMPLIANCE WITH ALL APPLICABLE FEDERAL, STATE AND LOCAL REGULATIONS AND STANDARDS.	
	ANY MODIFIED UNITS ARE NON-RETURNABLE	
	[] As drawn [] As marked	
	Signed: _____	Date: _____
Printed Name: _____		
<i>LEAD TIME WILL START UPON RECEIPT OF SIGNED APPROVAL DRAWING</i>		

FOR INTERNAL USE ONLY PROJECT SIGN OFF	
SALES	
ENG.	
FAB.	
POWER	

DISTRIBUTOR'S NAME:		P.O.#
VESTIL MANUFACTURING		X
W.O.#		X
DRAWN BY:	B.NOETHNAGEL	DATE: 8/1/2015
REFERENCE:	X	SCALE: 1:16
QUOTED LEAD TIME:	X	QUOTE #
		X
FILE NAME:		08-007-269