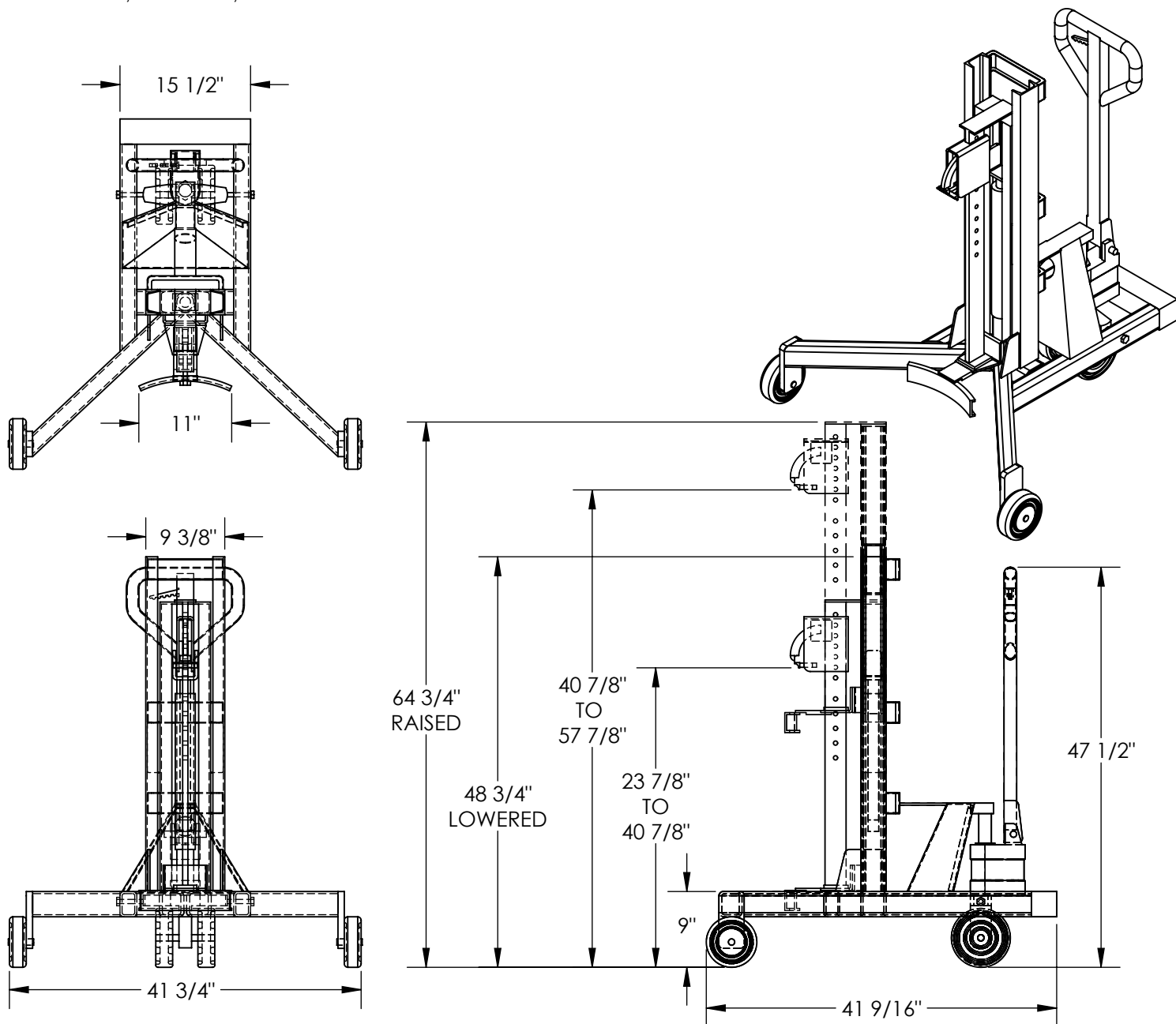


# PORTABLE DRUM JACK - DRUM-55FP

APPROX WEIGHT: 373 lbs.  
DOES NOT INCLUDE WEIGHT OF POWER OR PACKAGING!!!

\*\*\*ANY ADDITIONS, DELETIONS, OR OMISSIONS MUST BE CORRECTED ON THIS DRAWING AS THIS DRAWING WILL BE CONSIDERED ALL INCLUSIVE\*\*\*



ALL GRAPHICS PROVIDED ARE FOR REFERENCE ONLY. IF CERTAIN DIMENSIONS ARE CRITICAL PLEASE VERIFY THOSE DIMENSIONS WITH YOUR SALESPERSON

## STANDARD FEATURES

- MODEL NUMBER IS DRUM-55FP
- CAPACITY IS 1,000 LBS.
- OVERALL WIDTH IS 41 3/4"
- OVERALL LENGTH IS 41 9/16"
- OVERALL LOWERED HEIGHT IS 48 3/4"
- OVERALL RAISED HEIGHT IS 64 3/4"
- HANDLE HEIGHT IS 47 1/2"
- FRONT OF UNIT HAS (2) Ø6" x 2" CASTERS
- BACK OF UNIT HAS (2) Ø7" x 2" CASTERS
- ADJUSTABLE BEAK THAT IS COMPATIBLE WITH 30 & 55 GALLON STEEL, PLASTIC, AND FIBER DRUMS WITH TOP LIPS STRONG ENOUGH TO SUPPORT FULL WEIGHT OF DRUM

## SPECIAL FEATURES

NONE

I, THE UNDERSIGNED, AGREE THAT THE PRODUCT AS REPRESENTED SATISFIES DESIGN AND DIMENSION REQUIREMENTS. I ALSO ACKNOWLEDGE MY DUTY TO CONFIRM PRODUCT AND INSTALLATION COMPLIANCE WITH ALL APPLICABLE FEDERAL, STATE AND LOCAL REGULATIONS AND STANDARDS.

**ALL SPECIAL UNITS ARE NON-RETURNABLE**

[ ] As drawn [ ] As marked

Signed: \_\_\_\_\_ Date: \_\_\_\_\_

LEAD TIME WILL START UPON RECEIPT OF SIGNED APPROVAL DRAWING

DISTRIBUTOR'S NAME:		P.O.#
VESTIL MANUFACTURING		X
DRAWN BY: T. MOORE		W.O.#
DATE: 01/24/11		X
REFERENCE: X	SCALE: 1:18	SALES: X
QUOTED LEAD TIME: X	QUOTE # X	FILE NAME: 09-007-139