



VESTIL MANUFACTURING CORP.
 2999 North Wayne Street, P.O. Box 507, Angola, IN 46703
 Telephone: (260) 665-7586 Toll Free: (800) 348-0868
 Fax: (260) 665-1339
 www.vestilmfg.com e-mail: info@vestil.com

FTTM-2 Instruction Manual



Receiving instructions:

After delivery, IMMEDIATELY remove the packaging. Inspect the product closely to determine whether it sustained damage during transport. If damage is discovered, immediately record a complete description of the damage on the bill of lading. If the product is undamaged, discard the packaging.

NOTES:

- 1) Compliance with laws, regulations, codes, and non-voluntary standards in the location where the product is *used* is exclusively the responsibility of the end-user.
- 2) VESTIL is not liable for any injury or property damage that occurs as a consequence of failing to apply either: a) Instructions in this manual; or b) Information provided on labels affixed to the product.

Vestil is not responsible for incidental or consequential damages caused by failure to apply the instructions in this manual.

Table of Contents

Signal Words.....	2
Hazards of Improper Use.....	2
Specifications.....	3
Exploded parts diagram & bill of material.....	3
Use Instructions.....	4
Inspections & Maintenance.....	4
Labeling Diagram.....	5
Limited Warranty.....	6

Signal Words:

This manual classifies personal injury risks and situations that could lead to property damage with SIGNAL WORDS. Safety messages that appear with signal words describe an improper or dangerous use of the product. The signal words that appear in this manual are defined below.



WARNING

Identifies a hazardous situation which, if not avoided, **COULD** result in **DEATH** or **SERIOUS INJURY**.



NOTICE

Identifies practices likely to result in product/property damage, such as operation that might damage the product.

Each person who installs, uses, or maintains this product should read the entire manual in advance of the activity and fully understand the directions. Failure to adhere to the directions in this manual might result in serious personal injury.

Hazards of Improper Use:

Vestil strives to identify all foreseeable hazards associated with the use of its products. However, material handling is dangerous and no manual can address every risk. Ultimately the most effective means for avoiding injury is for the end-user to apply good judgment at all times.



WARNING

Improper or careless use of this product might cause serious personal injuries.

- *Failure to read and understand the entire manual before assembling, installing, using or servicing the product is a misuse of the product.* Read the manual to refresh your understanding of proper installation, use, and maintenance procedures.
- DO NOT exceed the capacity (see Label 287 on product; also shown in “Labeling diagram” on p. 5).
- Inspect the product as described in “Inspections and Maintenance” on p. 4. Restore the product to normal condition before using it.
- Before attaching a trailer (or other towable equipment) to the hitch, inspect the receiver, hitch, and retaining pin. Confirm that all parts are sound.
- DO NOT attempt to pull a trailer UNLESS the coupler seats properly on the ball hitch and latches properly. ONLY use this attachment to **push** hitched loads. DO NOT pull loads.
- DO NOT use this product to transport *anything* but trailers or other towable equipment.
- DO NOT use this product to push a trailer if people are onboard. This device should only be used to push unoccupied equipment.
- DO NOT allow people to sit on or ride on the attachment.
- DO NOT leave an attached trailer unattended. Always move a trailer to its desired location, properly immobilize it, and disengage it from the tow ball.
- DO NOT modify the unit without written approval from Vestil. Unapproved modifications automatically void the Limited Warranty (see p. 6) and might make the unit unsafe to use.
- ONLY raise the forks as high as necessary to bring the trailer into a horizontal (level) position.
- ONLY use the attachment to move trailers across level ground. DO NOT use the attachment to push trailers up or down sloped ground.
- OSHA regulations require lift truck attachments to be approved by either the manufacturer of your lift truck or a professional engineer before they are used. Mark your lift truck to identify the FTTM-2 attachment. The new markings should also display the approximate weight of the truck-and-attachment combination at maximum fork elevation with load laterally centered. Capacity, operation, and maintenance instruction plates, tags, or decals must be changed accordingly. DO NOT use this attachment if a load will exceed the load center rating provided by your lift truck manufacturer.
- DO NOT remove or obscure any label. Verify the placement and legibility of all labels as shown in the “Labeling Diagram” on p. 5. DO NOT use this device UNLESS all product labels are readable and undamaged.



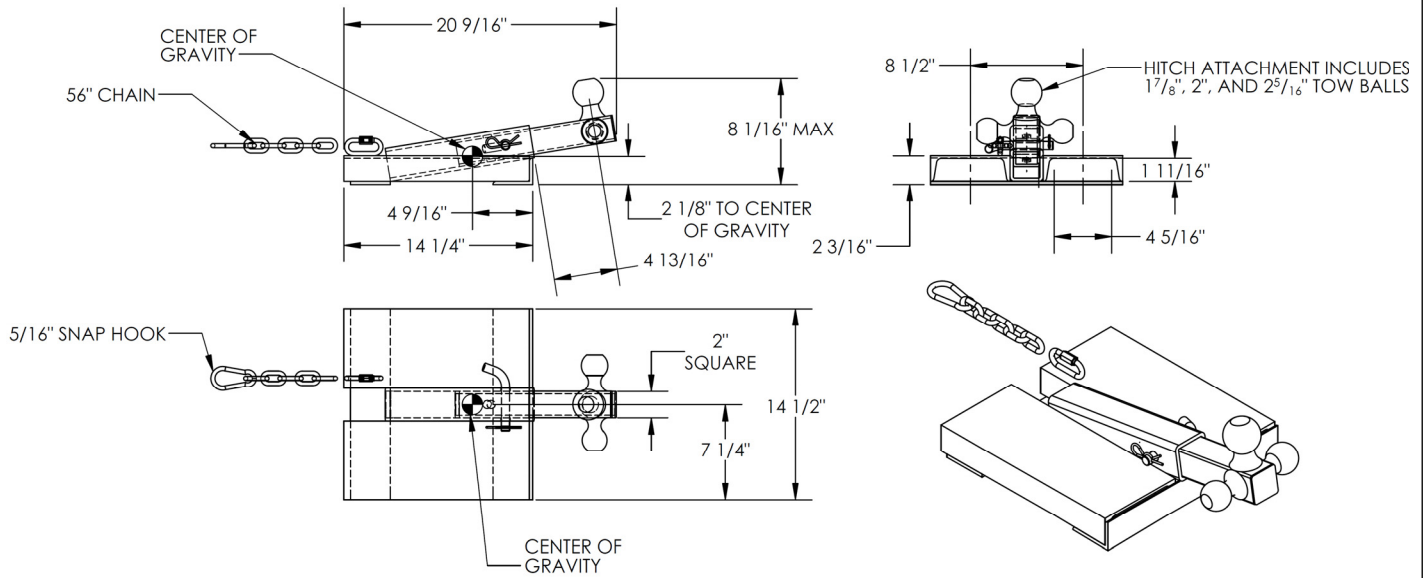
NOTICE

Proper use, maintenance, and storage are essential for this product to function properly.

- Inspect the unit as described on p.4.
- Use the product in accordance with the instructions in this manual.
- Always store the device in a dry location.

Specifications:

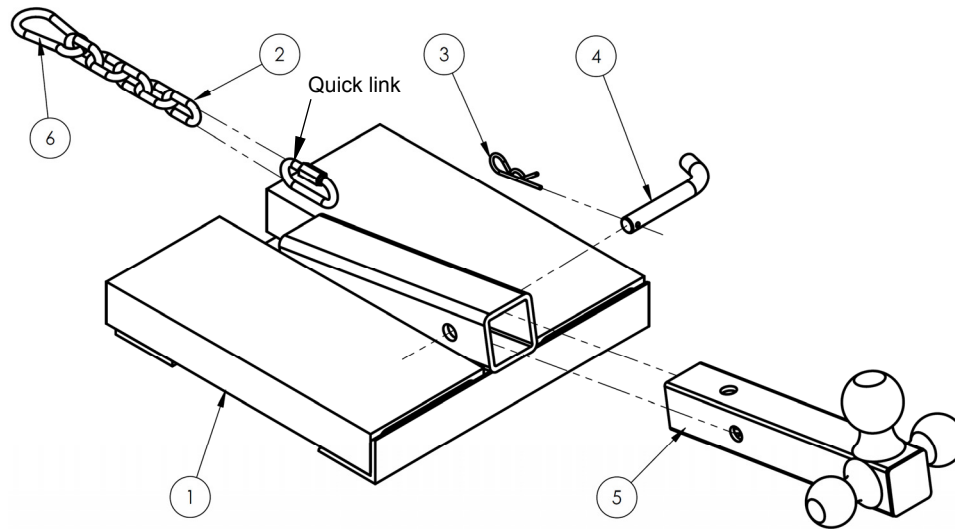
Dimensions and other specifications appear in the diagrams and table below.



Model	Overall width	Overall length	Overall height	Lost load	Usable fork pocket	Pushing capacity (varies with ball hitch used)	Net Weight
FTTM-2	14 1/2"	20 9/16"	8 1/16"	45 lb.	4 5/16" x 1 11/16"	1 7/8" 2,000 lb. 2" 3,500 lb. 2 5/16" 7,500 lb.	45 lb.

Ball Hitches	Ball Diameters	Shank Diameter	Maximum Rated Load	Net Weight
HITCH-3B	1 7/8" 2" 2 5/16"	Hitch balls permanently mounted to 2"x2"x12" square tube	2,000 lb. 3,500 lb. 7,500 lb.	12 lb.

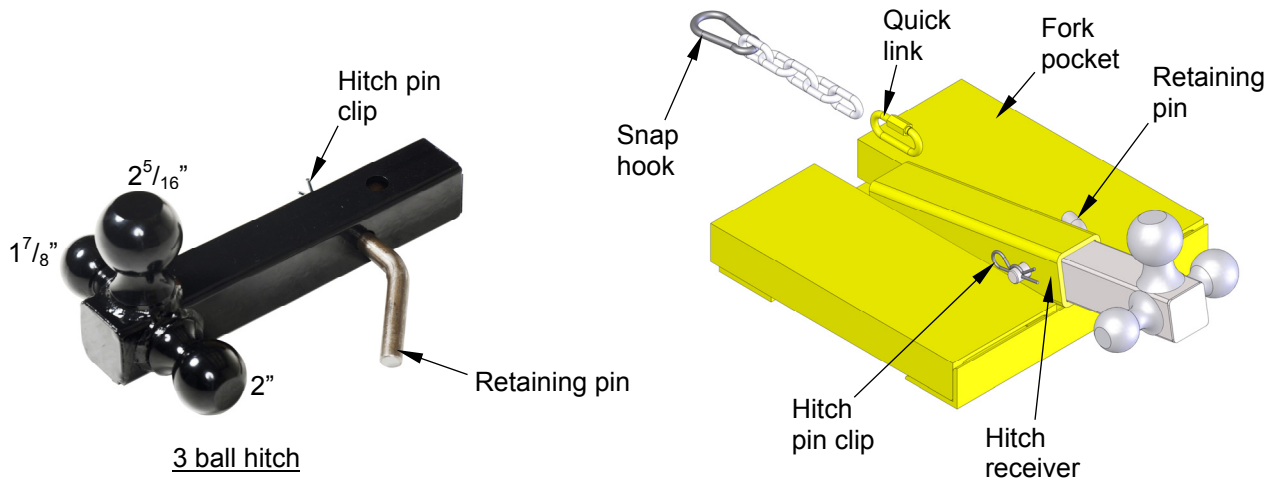
Exploded parts diagram and bill of materials:



Item	Part no.	Description	Qty.	Item	Part no.	Description	Qty.
1	08-514-259	Weldment, frame	1	4	99-112-030	Pin, trailer hitch, retaining	1
2	09-145-018	5/16" chain 56" long	1	5	99-001-007	3 ball hitch	1
3	45286	#11 hitch pin clip, 1/8" x 2 5/8"	1	6	08-145-041	Snap hook, 5/16"	1

Use Instructions:

Step 1: Select the appropriate tow ball and insert the hitch into the hitch receiver with the chosen tow ball facing upwards. Align the pin holes in the hitch with the pin holes in the receiver. Insert the retaining pin through the pin holes and secure it in place with the hitch pin clip.



Step 2: Slide the attachment onto the forks of your lift truck with the ball hitch pointing upwards. Push the attachment as far onto the forks as possible.

Step 3: Fasten the safety chain to the carriage of your forklift. There must be no slack in the chain. To remove slack, wrap the safety chain around the carriage as many times as necessary. Attach the snap hook on the free end of the chain to the quick link welded to the frame. The chain must not be able to disconnect from the carriage without deliberate effort.

Step 4: Connect the trailer (or other towable equipment) to the tow ball and raise the forks sufficiently to level the trailer. Push the trailer to the intended location with the attachment. DO NOT use the FTTM to *pull* trailers/equipment.

Inspections & Maintenance:

When you first receive the product from the freight carrier, confirm that it was not damaged during shipping. Closely inspect the unit and make a written record of the appearance and function of each component. This record establishes "normal condition".

Before each use, visually inspect the unit to confirm that it is in normal condition. Give particular attention to the following components:

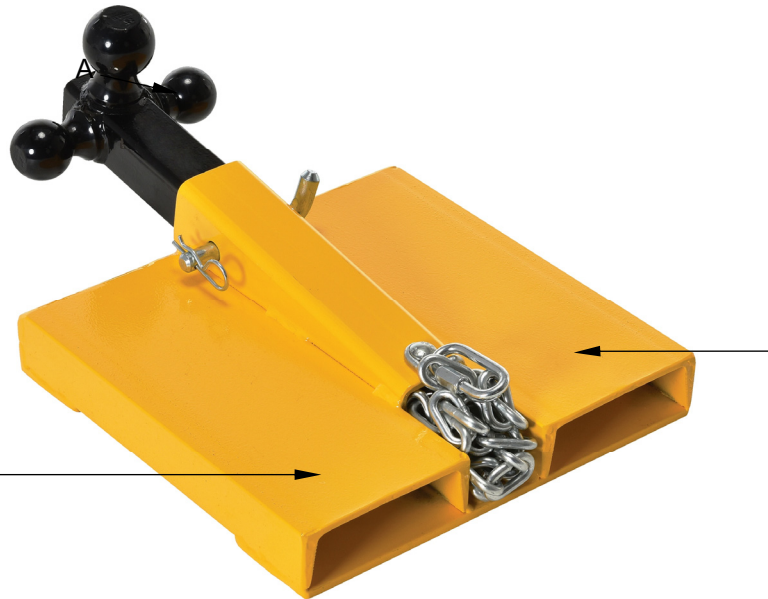
1. Safety chain and snap hook (attached to the free end of the safety chain): confirm that the spring latch (of the hook) automatically closes firmly. Do not continue to use the device if the snap hook, chain, or quick link is damaged or worn severely enough to prevent normal function.
2. Labeling: all labels should be readable and located as shown in the "Labeling Diagram" on p. 5. If a label is unreadable or missing, contact Vestil to order a replacement.

Inspect the following components at least once each month. Replace each component that is not in normal condition:

1. Fasteners (hardware):
 - Retaining pin and hitch pin clip;
 - Chain and snap hook.
2. Fork pockets: confirm that each pocket is structurally sound and free of significant rust.
3. Welds: confirm that all welds are intact. Only use this product if all welds are in normal, undamaged condition.
4. Tow ball hitch and hitch receiver: confirm normal condition, i.e. no structural deformation, warps, or cracks, etc.
5. Overall condition: the structure should be clean, square and rigid, and free of rust and corrosion. Remove dirt and debris. Do not use this device if the frame is severely rusted or corroded. To treat minor rusting, remove rust with steel wool; then clean the area with a damp rag. Apply touchup paint to the cleaned area once it dries.

Labeling Diagram:

The product should always be labeled as shown in the diagram below. Replace all labels that are missing, damaged, faded, or not easily readable.



MODEL/MODÉLO/MODÈLE _____	
STATIC CAPACITY (evenly distributed) _____	lbs.
LA CAPACIDAD CONSTANTE (distribuida uniformemente) _____	kgs.
CAPACITÉ STATIQUE (distribuée régulièrement) _____	kgs.
SERIAL/SERIE/SÉRIE _____	

287 REV 0812

(Applied to either fork pocket)

⚠ WARNING	⚠ ADVERTENCIAS
<p>Improper use of this device can result in serious personal injuries and property damage.</p> <p>1. Attach device to fork carriage with safety chain before engaging trailer.</p> <ul style="list-style-type: none"> • Drive forward until forks contact ends of fork pockets. • Safety chain must be taut when connected to fork carriage. Connect chain to fork carriage via shortest path. Chain must not be able to disconnect from carriage. <p>2. Use this attachment to PUSH trailers. DO NOT pull trailers.</p>	<p>El uso incorrecto de este dispositivo puede resultar en lesiones personales graves y daños a la propiedad.</p> <p>1. Fije el dispositivo al carro de la horquilla con la cadena de seguridad antes de acoplar el remolque.</p> <ul style="list-style-type: none"> • Avance hasta que las horquillas entren en contacto con los extremos de los bolsillos de la horquilla. <p>La cadena de seguridad debe estar tensa cuando se conecta al carro de la horquilla. Conecte la cadena al carro de la horquilla por el camino más corto. La cadena no debe poder desconectarse del carro.</p> <p>2. Utilice este accesorio para remolques PUSH. NO tire de los remolques.</p>

(Applied to either fork pocket)

LIMITED WARRANTY

Vestil Manufacturing Corporation (“Vestil”) warrants this product to be free of defects in material and workmanship during the warranty period. *Our warranty obligation is to provide a replacement for a defective original part if the part is covered by the warranty, after we receive a proper request from the warrantee (you) for warranty service.*

Who may request service?

Only a warrantee may request service. *You are a warrantee if* you purchased the product from Vestil or from an authorized distributor AND Vestil has been fully paid.

What is an “original part”?

An original part is a part used to make the product as shipped to the warrantee.

What is a “proper request”?

A request for warranty service is proper if Vestil receives: 1) a photocopy of the Customer Invoice that displays the shipping date; AND 2) a written request for warranty service including your name and phone number. Send requests by any of the following methods:

Mail
Vestil Manufacturing Corporation
2999 North Wayne Street, PO Box 507
Angola, IN 46703

Fax
(260) 665-1339
Phone
(260) 665-7586

Email
sales@vestil.com

In the written request, list the parts believed to be defective and include the address where replacements should be delivered.

What is covered under the warranty?

After Vestil receives your request for warranty service, an authorized representative will contact you to determine whether your claim is covered by the warranty. Before providing warranty service, Vestil may require you to send the entire product, or just the defective part or parts, to its facility in Angola, IN. The warranty covers defects in the following original dynamic components: motors, hydraulic pumps, electronic controllers, switches and cylinders. It also covers defects in original parts that wear under normal usage conditions (“wearing parts”), such as bearings, hoses, wheels, seals, brushes, and batteries.

How long is the warranty period?

The warranty period for original dynamic components is 90 days. For wearing parts, the warranty period is 90 days. The warranty periods begin on the date when Vestil ships the product to the warrantee. If the product was purchased from an authorized distributor, the periods begin when the distributor ships the product. Vestil may, at its sole discretion, extend the warranty periods for products shipped from authorized distributors by up to 30 days to account for shipping time.

If a defective part is covered by the warranty, what will Vestil do to correct the problem?

Vestil will provide an appropriate replacement for any covered part. An authorized representative of Vestil will contact you to discuss your claim.

What is not covered by the warranty?

1. Labor;
2. Freight;
3. Occurrence of any of the following, which automatically voids the warranty:
 - Product misuse;
 - Negligent operation or repair;
 - Corrosion or use in corrosive conditions;
 - Inadequate or improper maintenance;
 - Damage sustained during shipping;
 - Accidents involving the product;
 - Unauthorized modifications: DO NOT modify the product IN ANY WAY without first receiving written authorization from Vestil. Modification(s) might make the product unsafe to use or might cause excessive and/or abnormal wear.

Do any other warranties apply to the product?

Vestil Manufacturing Corp. makes no other express warranties. All implied warranties are disclaimed to the extent allowed by law. Any implied warranty not disclaimed is limited in scope to the terms of this Limited Warranty.

