

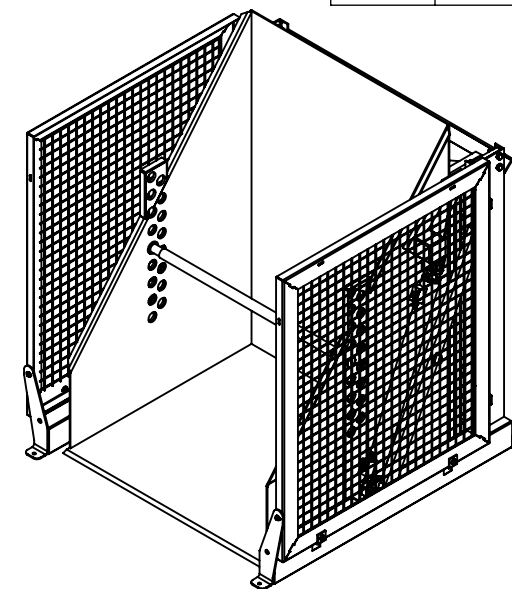
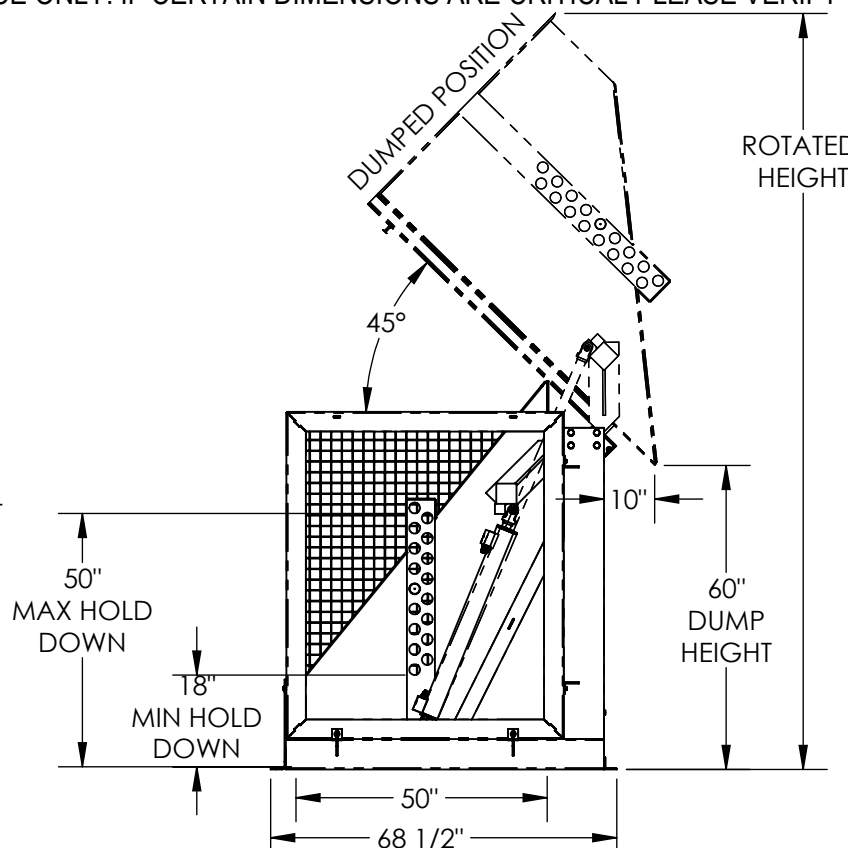
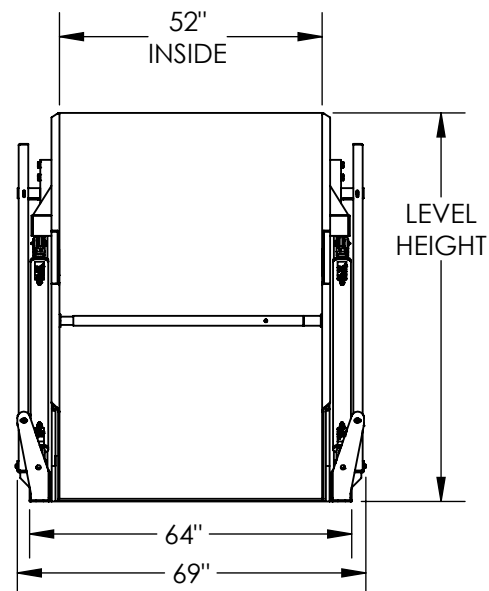
# HYDRAULIC BOX DUMPER - HBD-6-60

APPROX WEIGHT: 2088.83 lbs.  
DOES NOT INCLUDE WEIGHT OF POWER OR PACKAGING!!!

\*\*\* ANY ADDITIONS, DELETIONS, OR OMISSIONS MUST BE CORRECTED ON THIS DRAWING AS THIS DRAWING WILL BE CONSIDERED ALL INCLUSIVE \*\*\*

ALL GRAPHICS PROVIDED ARE FOR REFERENCE ONLY. IF CERTAIN DIMENSIONS ARE CRITICAL PLEASE VERIFY THOSE DIMENSIONS WITH YOUR SALESPERSON

FOR INTERNAL USE ONLY PROJECT SIGN OFF	
SALES	
ENG.	
FAB.	
POWER	



DIMENSION TOLERANCE ± 1/4"

## STANDARD FEATURES

HYDRAULIC BOX DUMPER  
MODEL NUMBER IS HBD-6-60  
CHUTE IS 52" W X 50" L (USABLE)  
DUMPER CAPACITY IS 6000 LBS.  
DUMP HEIGHT IS 60"  
HOLD DOWN WILL ACCEPT BOXES  
18" TO 50" HIGH W/ HOLES EVERY 2"  
FRAME WIDTH IS 69"  
FRAME LENGTH IS 68 1/2"  
LEVEL HEIGHT IS 77"  
ROTATED HEIGHT IS 149 1/2"  
DUMP ANGLE IS 45°  
CHROME PLATED CYLINDER WITH  
EMERGENCY STOP VELOCITY FUSE  
WARNING: CHECK STATE AND LOCAL CODES!!  
FRAME AND CHUTE DURABLE LIQUID PAINT BLUE FINISH  
GUARDS AND HOLD DOWN BAR TOUGH BAKED IN POWDER COATED YELLOW FINISH

## SPECIAL FEATURES

NONE

## PLEASE CIRCLE SPECIFICATIONS:

POWER	<input checked="" type="checkbox"/> AC	* <input type="checkbox"/> DC	* <input type="checkbox"/> AIR/OIL	
MOTOR VOLTAGE	<input type="checkbox"/> 115	<input type="checkbox"/> 208	<input checked="" type="checkbox"/> 230	<input checked="" type="checkbox"/> 460
DEDICATED CIRCUIT REQUIRED				
MOTOR PHASE	<input type="checkbox"/> SINGLE	<input checked="" type="checkbox"/> THREE		
CONTROL	<input checked="" type="checkbox"/> HAND	* <input type="checkbox"/> FOOT		
~ ALL BATTERY CHARGERS ARE 115V AC ~				
* BATTERY CHRG.	<input type="checkbox"/> REMOTE	<input type="checkbox"/> ON-BOARD		
* CHRG. INDICATOR	<input type="checkbox"/> YES	<input type="checkbox"/> NO		

\* AVAILABLE AT ADDITIONAL COST

**NOTE:**  
SINGLE PHASE EXCEEDS 5 MIN.  
CYCLE TIME 460 VOLT 3 PHASE  
RECOMMENDED CONTACT  
FACTORY FOR SINGLE PH  
APPLICATIONS

**APPROVAL**

I, THE UNDERSIGNED, AGREE THAT THE PRODUCT AS REPRESENTED SATISFIES DESIGN AND DIMENSION REQUIREMENTS. I ALSO ACKNOWLEDGE MY DUTY TO CONFIRM PRODUCT AND INSTALLATION COMPLIANCE WITH ALL APPLICABLE FEDERAL, STATE AND LOCAL REGULATIONS AND STANDARDS.

**ANY MODIFIED UNITS ARE NON-RETURNABLE**

[ ] As drawn [ ] As marked

Signed: \_\_\_\_\_ Date: \_\_\_\_\_

Printed Name: \_\_\_\_\_

LEAD TIME WILL START UPON RECEIPT OF SIGNED APPROVAL DRAWING

DISTRIBUTOR'S NAME: \_\_\_\_\_ P.O.#

**VESTIL MANUFACTURING** W.O.#

DRAWN BY: CA DATE: 10/26/2011 SALES:

REFERENCE: X SCALE: 1:38 FILE NAME: \_\_\_\_\_

QUOTED LEAD TIME: X QUOTE # X 34-007-012