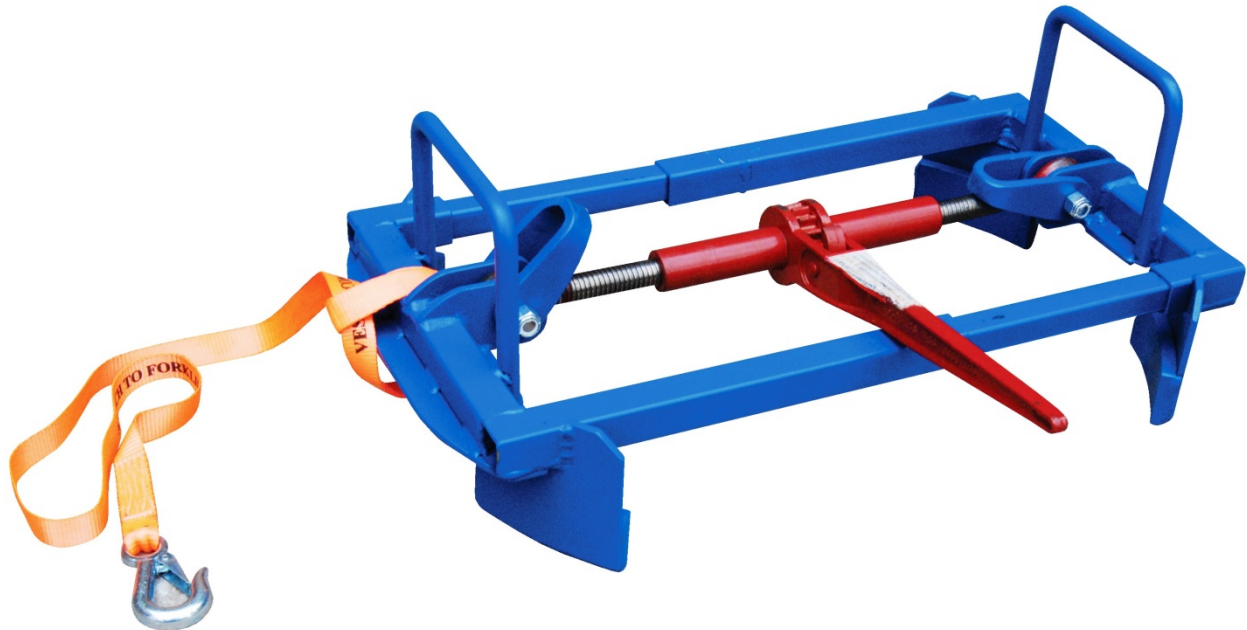




VESTIL MANUFACTURING CORP.
 2999 North Wayne Street, P.O. Box 507, Angola, IN 46703
 Telephone: (260) 665-7586 -or- Toll Free (800) 348-0868
 Fax: (260) 665-1339
 www.vestilmfg.com e-mail: info@vestil.com

HDDL-55 Drum Lifter Instruction Manual



Receiving instructions:

After delivery, remove the packaging from the product. Inspect the product closely to determine whether it sustained damage during transport. If damage is discovered, record a complete description of it on the bill of lading. If the product is undamaged, discard the packaging.

NOTE:

The end-user is solely responsible for confirming that product design, installation, use, and maintenance comply with laws, regulations, codes, and mandatory standards applied where the product is used.

Table of Contents

Signal words.....	2
Safe use recommendations.....	2
Labeling diagram.....	2
Exploded parts diagram and bill of materials.....	3
Specifications.....	3
Using the lifter.....	4
Inspections & Maintenance.....	4
Limited warranty.....	5

Signal Words:

This manual uses SIGNAL WORDS to draw attention to uses of the product that could result in personal injuries, as well as the probable seriousness of those injuries. Other signal words call attention to uses likely to cause property damage. Signal words used in this manual appear below along with the definition of each word.



Identifies a hazardous situation which, if not avoided, WILL result in DEATH or SERIOUS INJURY. Use of this signal word is limited to the most extreme situations.



Identifies a hazardous situation which, if not avoided, COULD result in DEATH or SERIOUS INJURY.



Indicates a hazardous situation which, if not avoided, COULD result in MINOR or MODERATE injury.



Identifies practices likely to result in product/property damage, such as operation that might damage the product.

Hazards of Improper Use:

Vestil strives to identify all foreseeable hazards associated with the use of this product. However, no manual can address every conceivable risk. Ultimately, the most effective way to avoid injury when using this device is to exercise good judgment and to always apply the following warnings.

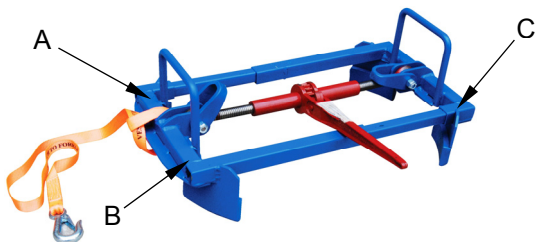
WARNING

Improper use of this device could result in death or serious personal injury.

- ALWAYS inspect the device before each use as described in “Inspections & Maintenance” on p. 4.
- When used with a hoist, only attach this lifter to a properly functioning hoist hook with a spring latch.
- When mounted to a fork lift, attach the safety strap to the fork carriage without slack.
- DO NOT remove or obscure any label. Confirm the placement and legibility of all labels as shown below in “Labeling diagram”. If a label is damaged or unreadable, immediately contact Vestil for a replacement. DO NOT use the lifter until the label is replaced.
- ONLY attach the lifter to the top rim of a drum. DO NOT use this lifter to move a particular drum if the jaws cannot securely clamp the rim.
- DO NOT lift a drum lying on its side. All drums must be upright before attaching the lifter to them.
- DO NOT stand, sit, or ride on a suspended drum.
- DO NOT attempt to lift a drum that weighs more than the capacity of the lifter (1,500 lb.: 681.8 kg).
- DO NOT lift a load higher than necessary. (See “Using the lifter” on p. 4).
- DO NOT raise the load over your feet or any other part of your body.
- NEVER lift a drum over yourself or other people.
- The carrier is designed to lift only 55 gallon, closed head, steel drums. Do not use the product to lift anything else.
- Avoid contact with the load while moving it. When moving the drum by hoist, grasp one of the fork loops and stand to the side of the drum. Watch the load at all times.
- DO NOT leave a suspended drum unattended.
- DO NOT open the lifter while a drum is suspended. Lower the drum completely before releasing it.

Labeling diagram:

The lifter should always be labeled as shown in the diagram. Replace any label that is missing, damaged, or not easily readable (very faded, for example).



A: label 218

WARNING	ADVERTENCIAS
<p>Improper use might result in death or serious personal injury. Attach device to fork carriage with safety chain/strap.</p> <ul style="list-style-type: none"> • Drive lift truck forward until forks contact ends of fork pockets. • Chain/straps must not be able to disconnect (slide free) from carriage. • Safety chain/strap must be taut. Connect chain/strap to carriage via shortest line. 	<p>El uso impropio puede resultar en muerte o heridas personales. Atar aparato al mástil del montacargas con cadenas/correas.</p> <ul style="list-style-type: none"> • Maneje el montacargas para adelante hasta que las cuñas hagan contacto con la orilla del bolsillo de las cuñas. • La cadenas y correas no deben de deslizarse (soltarse) del mástil del montacargas. • La cadena/correa de seguridad debe de estar apretado. Asegure la cadena/correa al mástil via la ruta mas corta.

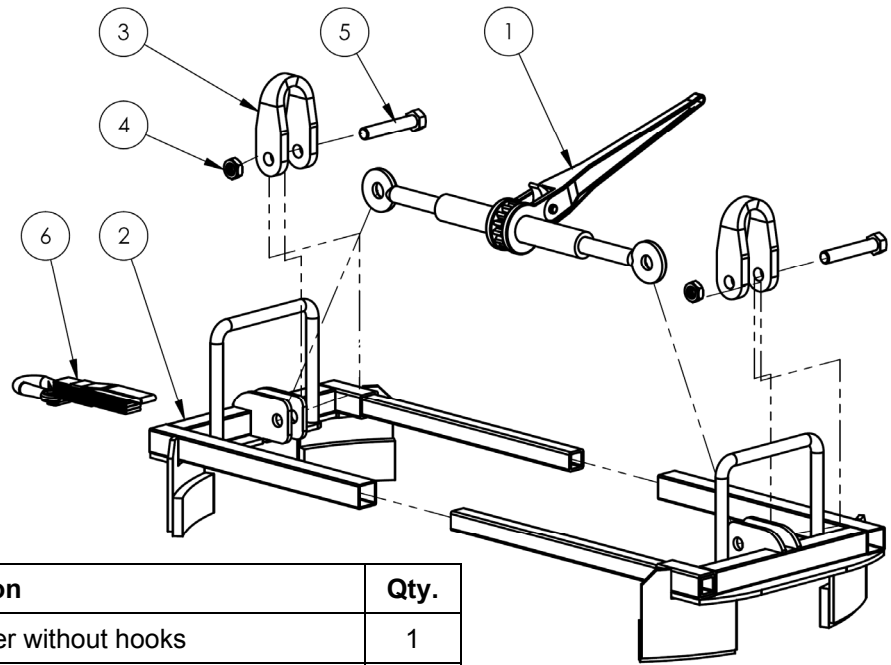
B: label 1000

Model No. _____	Serial No. _____
No. Modelo _____	No. Serie _____
Capacity _____ lbs.	Lifter Weight _____ lbs.
Capacidad _____ kgs.	Peso del Elevador _____ kgs.
BHT-1 Design Category: B	BHT-1 Service Category: 1
BHT-1 Categoría de Diseño B	BHT-1 Categoría de Servicio: 1
Read Owners Manual for product safety warnings Lea Manual de Proprietarios para advertencias de seguridad de producto	

C: label 675

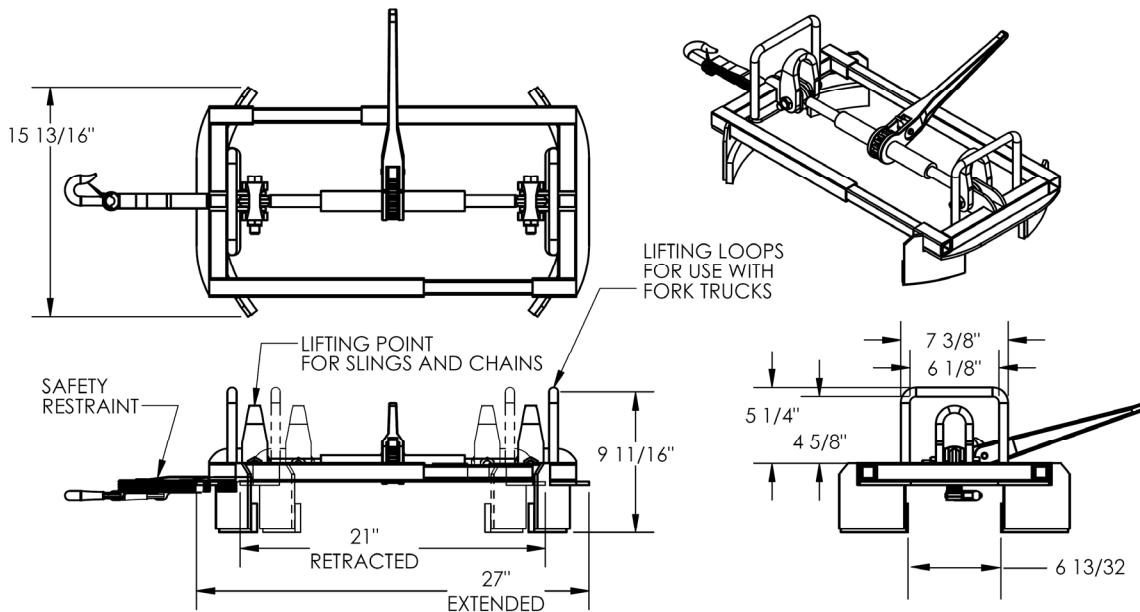
WARNING	ADVERTENCIA
<ul style="list-style-type: none"> • DO NOT exceed rated capacity • DO NOT use if damaged, malfunctioning, or missing parts • DO NOT lift people OR lift loads over people • DO NOT raise load higher than necessary • DO NOT leave a suspended load unattended • DO NOT use lifter unless you read and understand the owner's manual • DO NOT alter OR modify lifter • DO NOT remove OR obscure any label • STAY CLEAR of suspended loads • Secure load before using this device 	<ul style="list-style-type: none"> • NO exceda la capacidad tasada • NO USE si las partes estan dañadas, no funcionan correctamente o faltan partes. • NO eieve al personal o eieve cargas sobre el personal • NO eieve la carga mas alto de lo necesario • NO deje desatendida una carga que este suspendida • NO use el elevador a no ser que haya leído y entendido las instrucciones del manual del propietario • NO altere o modifique el elevador • NO quite u oscurezca ninguna etiqueta • MANTENGASE alejado de las cargas suspendidas • Asegure la carga antes de usar este dispositivo.

Exploded parts diagram and bill of materials



Item	Part no.	Description	Qty.
1	30-001-213-001	Load binder without hooks	1
2	09-514-142	Weldment, frame	2
3	28-016-097	Bracket, hook ,formed	2
4	37036	Nylock nut, zinc plated, $\frac{5}{8}$ "-11	2
5	13317	Hex bolt, HHCS, gr. 5, zinc plated, $\frac{5}{8}$ "-11 x $3\frac{1}{2}$ "	2
6	08-145-028	Fork carriage attachment/restraint strap ("Carriage strap" or "safety strap")	1

Specifications:



****Only use with 55 gallon closed head, steel drums in upright position.****

Capacity	= 1,500 lb.	Overall height	= 10"
Overall width	= $15\frac{13}{16}$ "	Usable fork pocket height	= $4\frac{5}{8}$ "
Extended length	= 27"	Usable fork pocket width	= $6\frac{1}{8}$ "
Retracted length	= 20"		

Using the lifter:

This product can be used either as a below-the-hook lifting device attached to a hoist, or as a forklift attachment.

Step 1: Make sure that the lifter is open wide enough to fit over the top of your drum. Moving the handle back-and-forth either extends or retracts the lifter. The orientation of the ratchet pawl determines whether moving the handle causes extension or retraction. Push the upper part of the pawl down to change direction.

Step 2: Set the lifter on top of your drum. The drum brackets should slide around the side of the drum so that the telescoping arms rest on top of the drum.

Step 3: Set the pawl appropriately to retraction the lifter. Move the handle back-and-forth to bring the two sides of the lifter towards each other. Move the handle until the lifter is securely clamped to the top of the drum. Inspect the clamp and make sure that all 4 rim supports are below the drum rim and are firmly pressed against the side of the drum.

Step 4: Connect the lifter to a hoist or mount it on a fork of your lift truck.

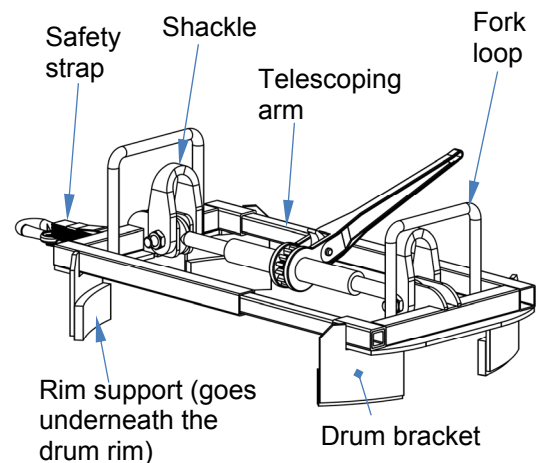
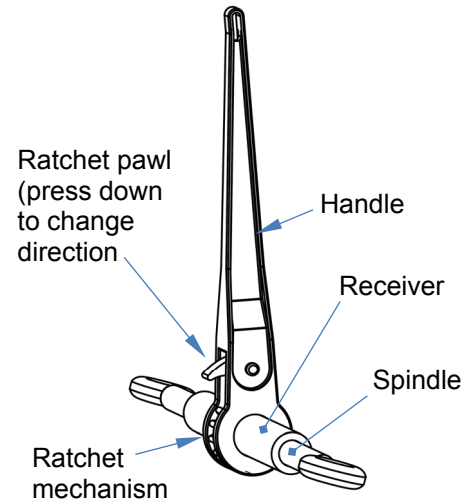
- a. Hoist: attach a chain sling to both shackles and to the hoist hook.
- b. Forklift: drive a fork through both fork loops. Attach the safety strap to the carriage of your forklift **without slack**.

Step 5: Test the clamp by raising the drum just a few inches above the ground. Watch the drum and lifter for approximately 10 seconds to be certain that the lifter has an adequate clamp on the rim. If the clamp is adequate, proceed to the next step.

Step 5: Transport the drum to the desired location.

- a. **Overhead hoist:** Lift the drum ~ 5-6 inches above the ground. Stand to the side of the drum and stabilize it by grasping the lifter. Minimize drum swing by moving the hoist **slowly**.
- b. **Forklift:** drive slowly, particularly while turning. Reduce speed during all turns. Apply the brakes gradually. The lifter should not slide towards the tip of the fork if the safety strap is attached properly.

Step 6: Before lowering the drum, make sure that it is not swinging, spinning, etc. Slowly lower the drum until it is stably supported by the ground. Disconnect the lifter from the hoist or demount the lifter from the forklift. Reverse direction of the load binder by pressing down the upper part of the pawl. Move the handle back-and-forth to release the clamp.



Inspections & Maintenance:

Before using the lifter for the first time, make a written record of its appearance. Include observations about shackle hardware, drum brackets and rim supports, the load binder, and the telescoping arms (see diagrams in "Using the lifter"). Also include observations about the fork loops and safety strap (and hook). Extend and retract the lifter by selecting the appropriate pawl configuration and moving the handle back-and-forth. Describe how the spindles wind into their receivers. How much force is required to work the ratchet mechanism? This record establishes "normal condition". During future inspections, compare your observations to the written record to determine if the unit is in normal condition. **DO NOT use the lifter unless it is in normal condition.**

Visually examine the following elements **before each use**. Shackles and hardware: Check for cracks, deformations, and severe wear.

1. Load binder: Confirm that both spindles wind into, and out of, their receivers smoothly. The pawl should firmly engage the teeth of the ratchet gear in both directions. Spindle and receivers should be straight, undamaged, and free of significant rust/corrosion.
2. Frame (Telescoping arms, drum brackets, rim supports, fork loops, etc.): Check welds and frame members for breaks and severe rusting/corrosion. Remove rust/corrosion with a brush or steel wool. Clean the area and apply touchup paint. Frame members should be square and rigid. Arms should telescope smoothly (without binding). Lubricate arms with a silicone wax whenever necessary.
3. Safety strap and hook: examine the strap for cuts, tears, etc. Verify that the hook latch works properly.
4. Make a dated record of the repairs, adjustments and/or replacements. Only install manufacturer-approved replacement parts. Deformities, cracks, and severe wear of either arm warrants immediate replacement of the entire unit.

LIMITED WARRANTY

Vestil Manufacturing Corporation (“Vestil”) warrants this product to be free of defects in material and workmanship during the warranty period. *Our warranty obligation is to provide a replacement for a defective original part if the part is covered by the warranty, after we receive a proper request from the warrantee (you) for warranty service.*

Who may request service?

Only a warrantee may request service. *You are a warrantee if* you purchased the product from Vestil or from an authorized distributor AND Vestil has been fully paid.

What is an “original part”?

An original part is a part used to make the product as shipped to the warrantee.

What is a “proper request”?

A request for warranty service is proper if Vestil receives: 1) a photocopy of the Customer Invoice that displays the shipping date; AND 2) a written request for warranty service including your name and phone number. Send requests by any of the following methods:

Mail
Vestil Manufacturing Corporation
2999 North Wayne Street, PO Box 507
Angola, IN 46703

Fax
(260) 665-1339
Phone
(260) 665-7586

Email
info@vestil.com

In the written request, list the parts believed to be defective and include the address where replacements should be delivered.

What is covered under the warranty?

After Vestil receives your request for warranty service, an authorized representative will contact you to determine whether your claim is covered by the warranty. Before providing warranty service, Vestil may require you to send the entire product, or just the defective part or parts, to its facility in Angola, IN. The warranty covers defects in the following original dynamic components: motors, hydraulic pumps, electronic controllers, switches and cylinders. It also covers defects in original parts that wear under normal usage conditions (“wearing parts”), such as bearings, hoses, wheels, seals, brushes, and batteries.

How long is the warranty period?

The warranty period for original dynamic components is 90 days. For wearing parts, the warranty period is 90 days. The warranty periods begin on the date when Vestil ships the product to the warrantee. If the product was purchased from an authorized distributor, the periods begin when the distributor ships the product. Vestil may, at its sole discretion, extend the warranty periods for products shipped from authorized distributors by up to 30 days to account for shipping time.

If a defective part is covered by the warranty, what will Vestil do to correct the problem?

Vestil will provide an appropriate replacement for any covered part. An authorized representative of Vestil will contact you to discuss your claim.

What is not covered by the warranty?

1. Labor;
2. Freight;
3. Occurrence of any of the following, which automatically voids the warranty:
 - Product misuse;
 - Negligent operation or repair;
 - Corrosion or use in corrosive conditions;
 - Inadequate or improper maintenance;
 - Damage sustained during shipping;
 - Accidents involving the product;
 - Unauthorized modifications: DO NOT modify the product IN ANY WAY without first receiving written authorization from Vestil. Modification(s) might make the product unsafe to use or might cause excessive and/or abnormal wear.

Do any other warranties apply to the product?

Vestil Manufacturing Corp. makes no other express warranties. All implied warranties are disclaimed to the extent allowed by law. Any implied warranty not disclaimed is limited in scope to the terms of this Limited Warranty.

