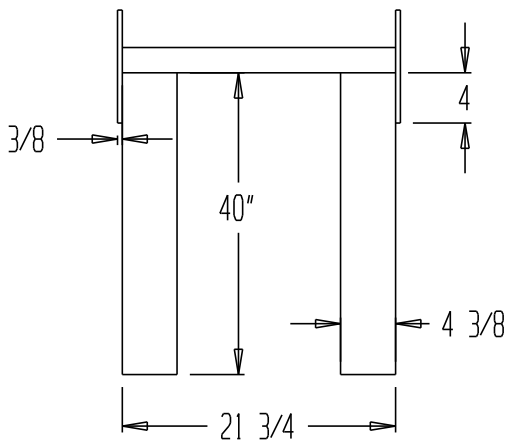


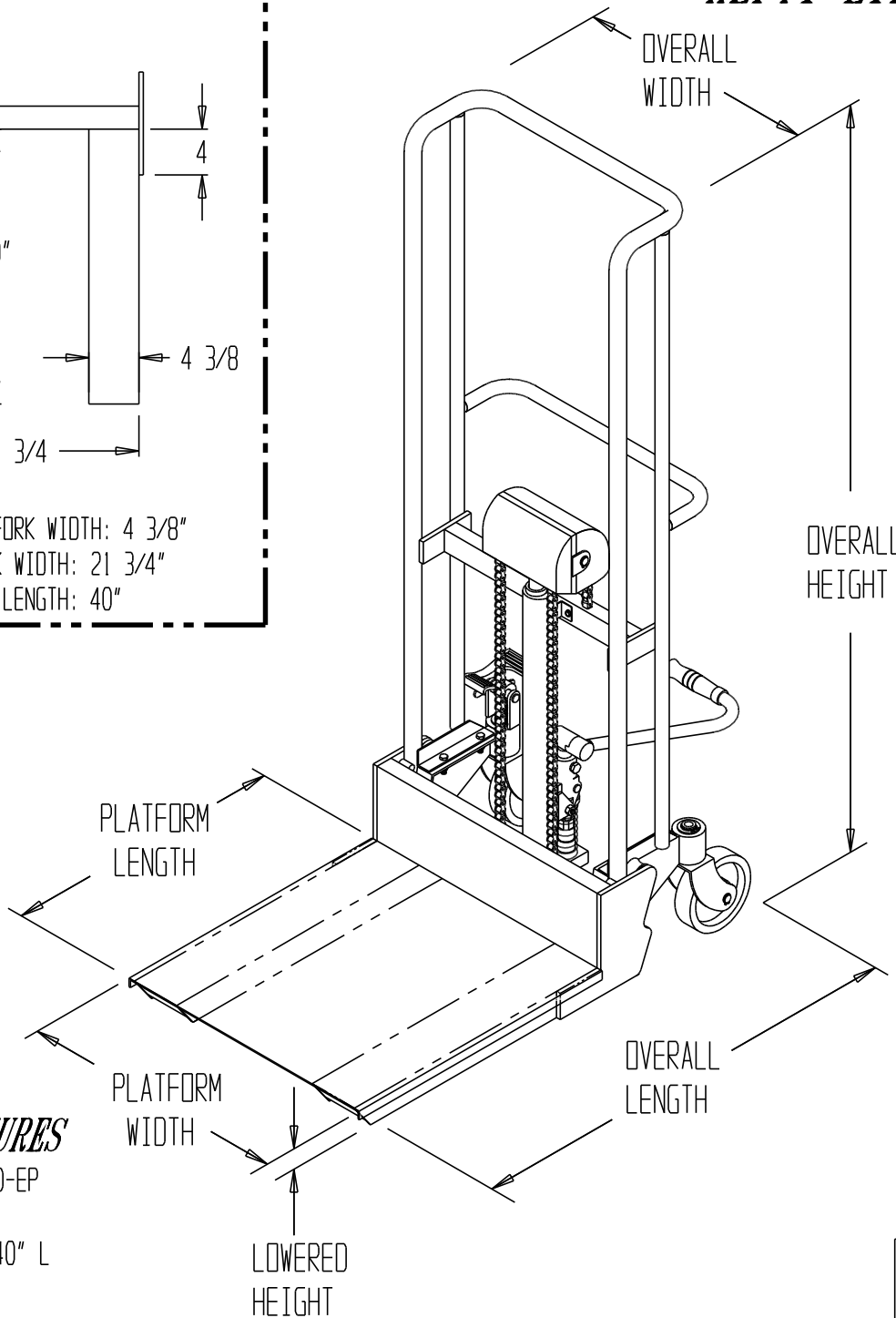
FORK DETAIL - TOP VIEW



FORK SPECS:

INDIVIDUAL FORK WIDTH: 4 3/8"
 OVERALL FORK WIDTH: 21 3/4"
 USABLE FORK LENGTH: 40"

HEFTI-LIFT, HYD-10-EP



DIM TOLERANCE 1/2"

Any additions, deletions or omissions must be corrected on this drawing, as this drawing will be considered all inclusive.

All graphics provided are for reference only. If certain dimensions are critical please verify those dimensions with your salesperson

STANDARD FEATURES

MODEL NUMBER: HYD-10-EP
 CAPACITY: 300 LBS
 DECK SIZE: 23" W x 40" L
 OVERALL HEIGHT: 70"
 OVERALL LENGTH: 36"
 OVERALL WIDTH: 23"
 LOWERED HEIGHT: 4 1/2"
 RAISED HEIGHT: 59"
 HANDLE HEIGHT: 42"
 OUTRIGGERS:
 ID = 14" / OD = 18 1/4"
 CASTERS:
 2- BACK 6" x 2"
 2- FRONT 3" x 2"
 FOOT PUMP OPERATION

SPECIAL FEATURES

NONE

A P P R O V A L
 I, THE UNDERSIGNED, AGREE THAT THE PRODUCT AS REPRESENTED SATISFIES DESIGN & DIMENSION REQUIREMENTS. I ALSO ACKNOWLEDGE MY DUTY TO CONFIRM PRODUCT & INSTALLATION COMPLIANCE WITH ALL APPLICABLE FEDERAL, STATE AND LOCAL REGULATIONS & STANDARDS.
ANY MODIFIED UNITS ARE NON-RETURNABLE
 As drawn As marked
 Signed: _____ Date: _____
 Printed Name: _____
 LEAD TIME WILL START UPON RECEIPT OF SIGNED APPROVAL DRAWING

DISTRIBUTOR'S NAME: VESTIL MFG		P.O.#: -
DRAWN BY: _____		W.O.#: -
DATE: 5/5/16	SALES: -	
REFERENCE: -	SCALE: N/A	DRWG./FILE NAME:
QUOTED LEADTIME: -	QUOTE #: -	HYD-10-EP

FOR INTERNAL USE ONLY PROJECT SIGN OFF
SALES
ENG
FAB.
POWER