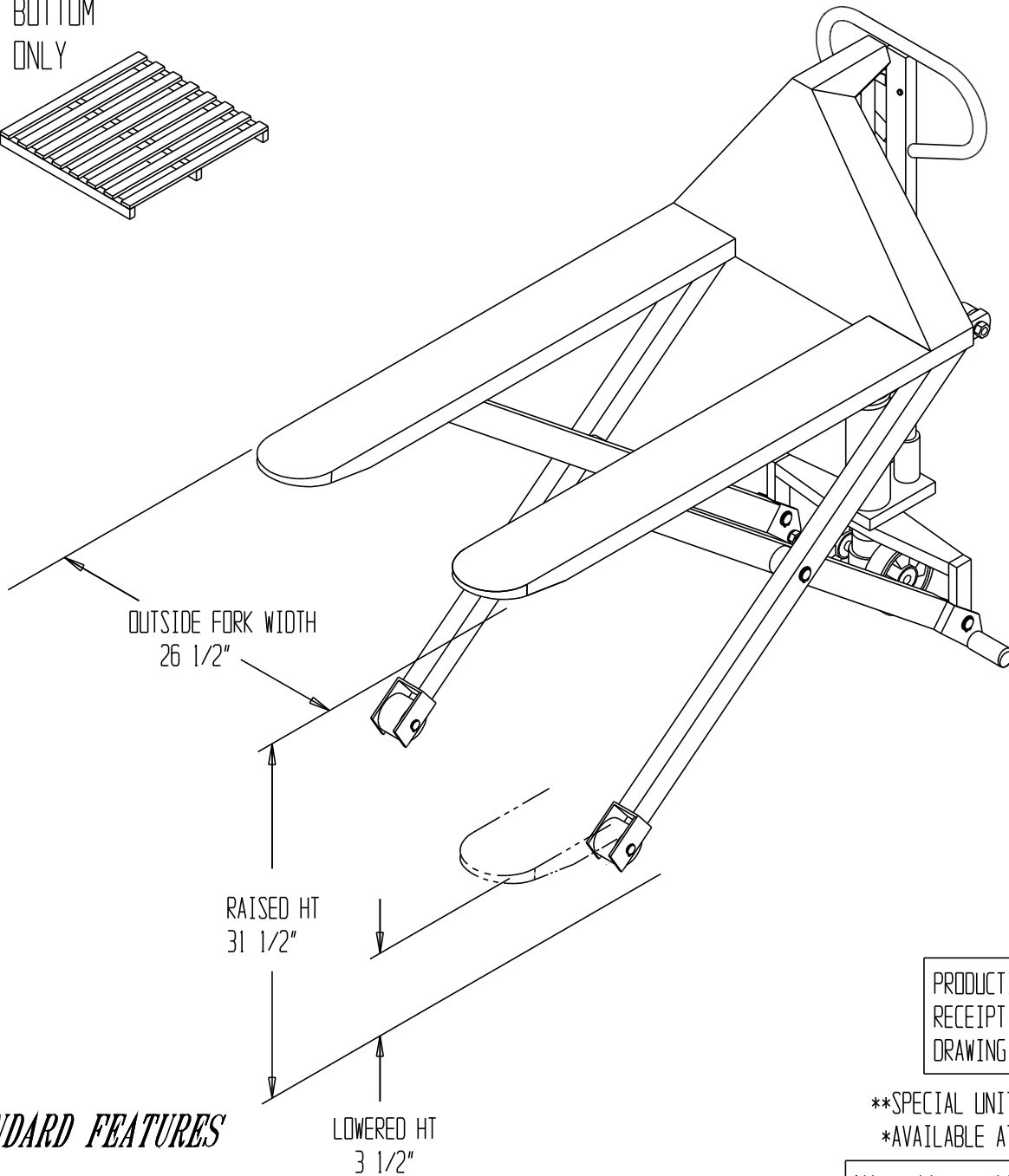
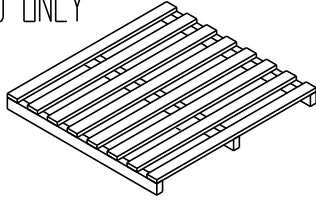


STAINLESS STEEL TOTE LIFTER, L-270-HD-SS

FOR USE WITH
OPEN BOTTOM
SKID ONLY



STANDARD FEATURES

MODEL NUMBER: L-270-HD-SS
CAPACITY: 2,000 LBS
LOWERED HT: 3 1/2"
RAISED HT : 31 1/2"
FORK LENGTH : 45"
FORK WIDTH : 6 1/2"
OVERALL FORK WIDTH : 26 3/4"
UNIT TAKES 36 PUMPS TO FULLY RAISE

PRODUCTION WILL START UPON
RECEIPT OF SIGNED APPROVAL
DRAWING

**SPECIAL UNITS ARE NON-RETURNABLE
*AVAILABLE AT ADDITIONAL COSTS

All graphics provided are for reference only.
If certain dimensions are critical please
verify those dimensions with your salesperson

FOR INTERNAL USE ONLY PROJECT SIGN OFF		I, THE UNDERSIGNED, AGREE THAT THE PRODUCT AS REPRESENTED SATISFIES DESIGN & DIMENSION REQUIREMENTS. I ALSO ACKNOWLEDGE MY DUTY TO CONFIRM PRODUCT & INSTALLATION COMPLIANCE WITH ALL APPLICABLE FEDERAL, STATE AND LOCAL REGULATIONS & STANDARDS. ANY MODIFIED UNITS ARE NON-RETURNABLE () As drawn () As marked Signed: _____ Date: _____ Printed Name: _____ LEAD TIME WILL START UPON RECEIPT OF SIGNED APPROVAL DRAWING
SALES		
ENG		
FAB.		
POWER		

DISTRIBUTOR'S NAME: VESTIL MANUFACTURING		P.O.#: -
DRAWN BY: JWW		V.D.#: -
DATE: 8/31/2020		SALES: -
REFERENCE: -	SCALE: -	DRWG./FILE NAME:
QUOTED LEADTIME: -	QUOTE #: -	L-270-HD-SS