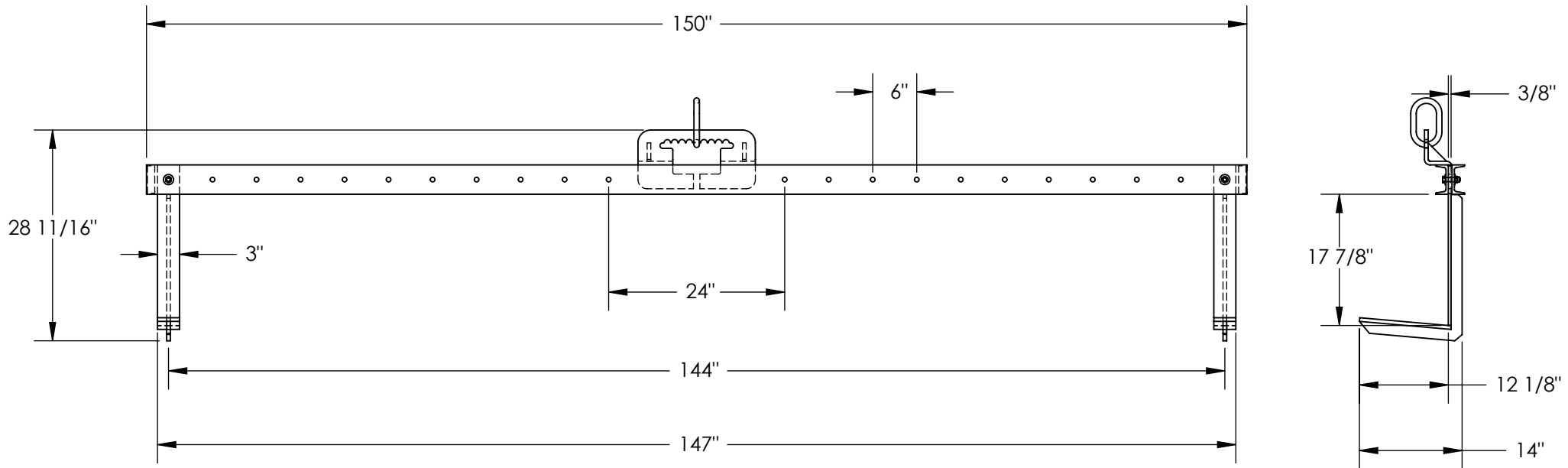


# BAR STOCK MATERIAL POSITIONER - MATL-144

APPROX WEIGHT: 237.36 lbs.  
 DOES NOT INCLUDE WEIGHT OF POWER OR PACKAGING!!!

\*\*\* ANY ADDITIONS, DELETIONS, OR OMISSIONS MUST BE CORRECTED ON THIS DRAWING AS THIS DRAWING WILL BE CONSIDERED ALL INCLUSIVE \*\*\*

ALL GRAPHICS PROVIDED ARE FOR REFERENCE ONLY. IF CERTAIN DIMENSIONS ARE CRITICAL PLEASE VERIFY THOSE DIMENSIONS WITH YOUR SALESPERSON



## STANDARD FEATURES

MODEL NUMBER IS MATL-144  
 OVERALL WIDTH IS 14"  
 OVERALL LENGTH IS 150"  
 OVERALL HEIGHT IS 28 7/16"  
 USALBE ARM SIZE: 3" W x 17 7/8" H x 12" D  
 ARM ADJUSTABLE IN 6" INCREMENTS  
 FROM 24" TO 120" (CENTER TO CENTER)  
 MAX CAPACITY IS 2000LBS

## SPECIAL FEATURES

NONE

APPROVAL

I, THE UNDERSIGNED, AGREE THAT THE PRODUCT AS REPRESENTED SATISFIES DESIGN AND DIMENSION REQUIREMENTS. I ALSO ACKNOWLEDGE MY DUTY TO CONFIRM PRODUCT AND INSTALLATION COMPLIANCE WITH ALL APPLICABLE FEDERAL, STATE AND LOCAL REGULATIONS AND STANDARDS.  
**ALL SPECIAL UNITS ARE NON-RETURNABLE**  
 As drawn      As marked

Signed: \_\_\_\_\_ Date: \_\_\_\_\_

LEAD TIME WILL START UPON RECEIPT OF SIGNED APPROVAL DRAWING

DISTRIBUTOR'S NAME:		P.O.#
VESTIL MANUFACTURING		X
DRAWN BY: J BRANDT		DATE: 5/20/10
REFERENCE: X		SCALE: 1:20
QUOTED LEAD TIME: X	QUOTE # X	FILE NAME: 08-007-232
		SALES: X