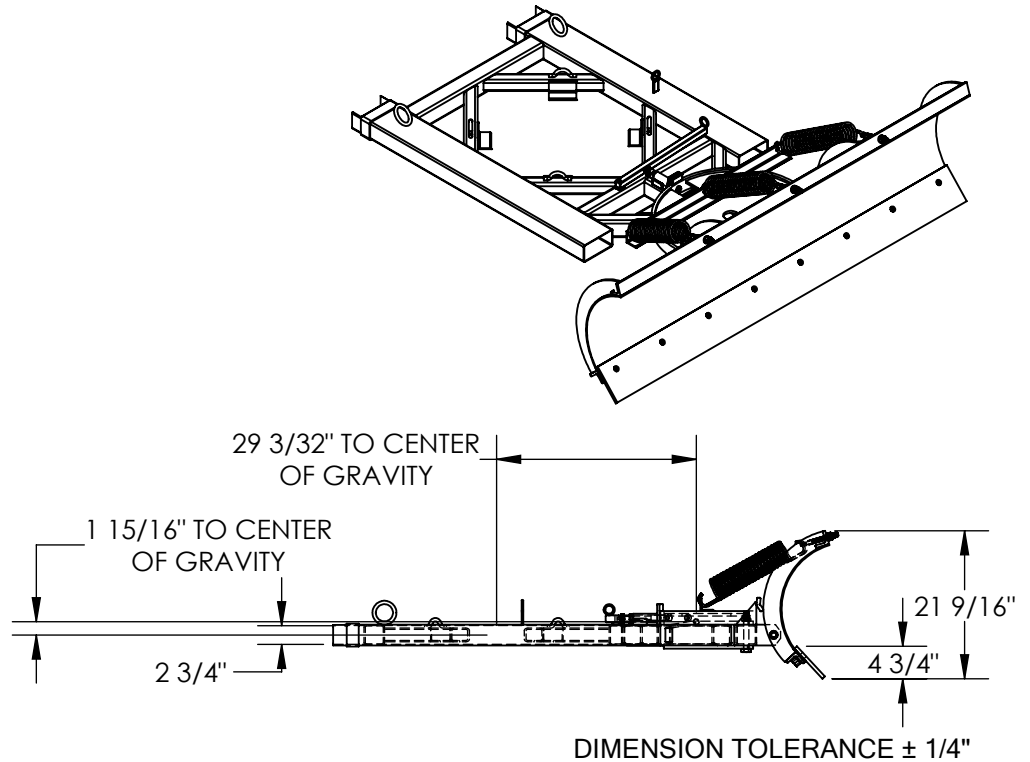
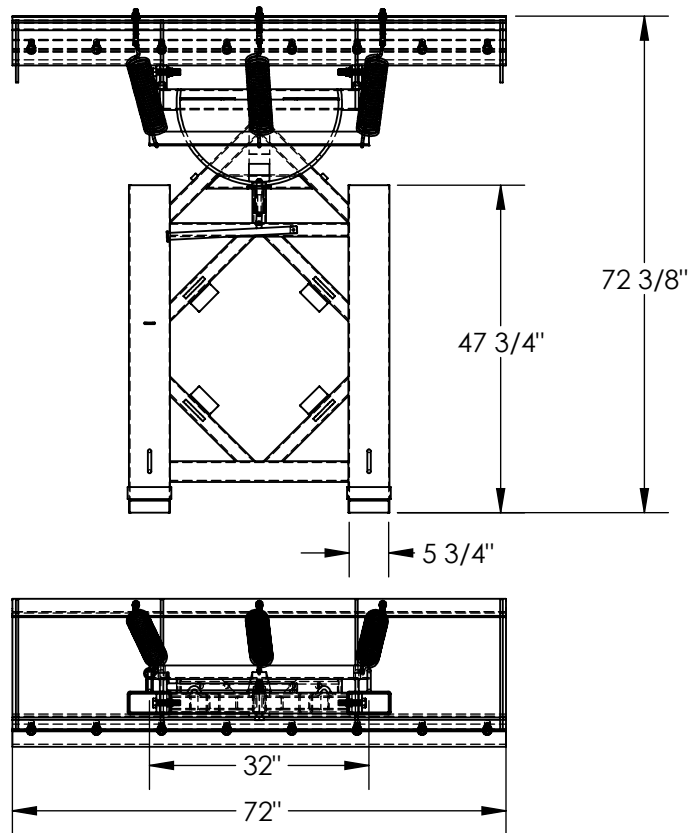


FORK MOUNTED SNOW BLADE - SPB-548

APPROX WEIGHT: 520 lbs.
 DOES NOT INCLUDE WEIGHT OF POWER OR PACKAGING!!!

*** ANY ADDITIONS, DELETIONS, OR OMISSIONS MUST BE CORRECTED ON THIS DRAWING AS THIS DRAWING WILL BE CONSIDERED ALL INCLUSIVE ***

ALL GRAPHICS PROVIDED ARE FOR REFERENCE ONLY. IF CERTAIN DIMENSIONS ARE CRITICAL PLEASE VERIFY THOSE DIMENSIONS WITH YOUR SALESPERSON



STANDARD FEATURES

- MODEL NUMBER IS SPB-548
- OVERALL WIDTH IS 72"
- MAX FORK WIDTH IS 5 1/2 "
- OVERALL LENGTH IS 72 3/8"
- MAX FORK LENGTH IS 48"
- OVERALL HEIGHT IS 21 9/16"
- PLOW WIDTH AT 24 DEGREES IS 66"
- PLOW WIDTH AT 47 DEGREES IS 48"
- FORK CENTERS AT 32" SEPARATION
- INSIDE FORK CLEARANCE IS 24 1/2"
- ROLL PLATE WITH STEEL RIGS IS 5/16"

SPECIAL FEATURES

NONE

A
P
P
R
O
V
A
L

I, THE UNDERSIGNED, AGREE THAT THE PRODUCT AS REPRESENTED SATISFIES DESIGN AND DIMENSION REQUIREMENTS. I ALSO ACKNOWLEDGE MY DUTY TO CONFIRM PRODUCT AND INSTALLATION COMPLIANCE WITH ALL APPLICABLE FEDERAL, STATE AND LOCAL REGULATIONS AND STANDARDS.

ANY MODIFIED UNITS ARE NON-RETURNABLE

[] As drawn [] As marked

Signed: _____ Date: _____

Printed Name: _____

LEAD TIME WILL START UPON RECEIPT OF SIGNED APPROVAL DRAWING

FOR INTERNAL USE ONLY PROJECT SIGN OFF	
SALES	
ENG.	
FAB.	
POWER	

DISTRIBUTOR'S NAME:		P.O.#
VESTIL MANUFACTURING		X
W.O.#		X
DRAWN BY: NBE	DATE: 07/16/2020	SALES: X
REFERENCE: X	SCALE: 1:28	FILE NAME:
QUOTED LEAD TIME: X	QUOTE # X	08-007-260