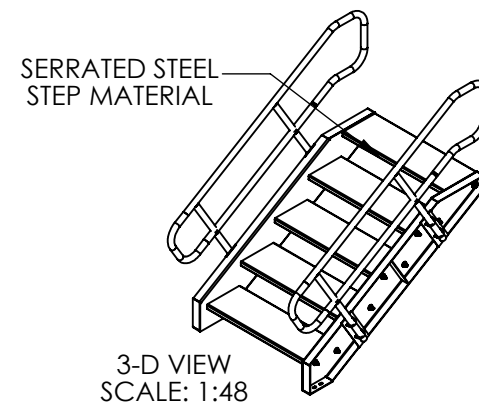
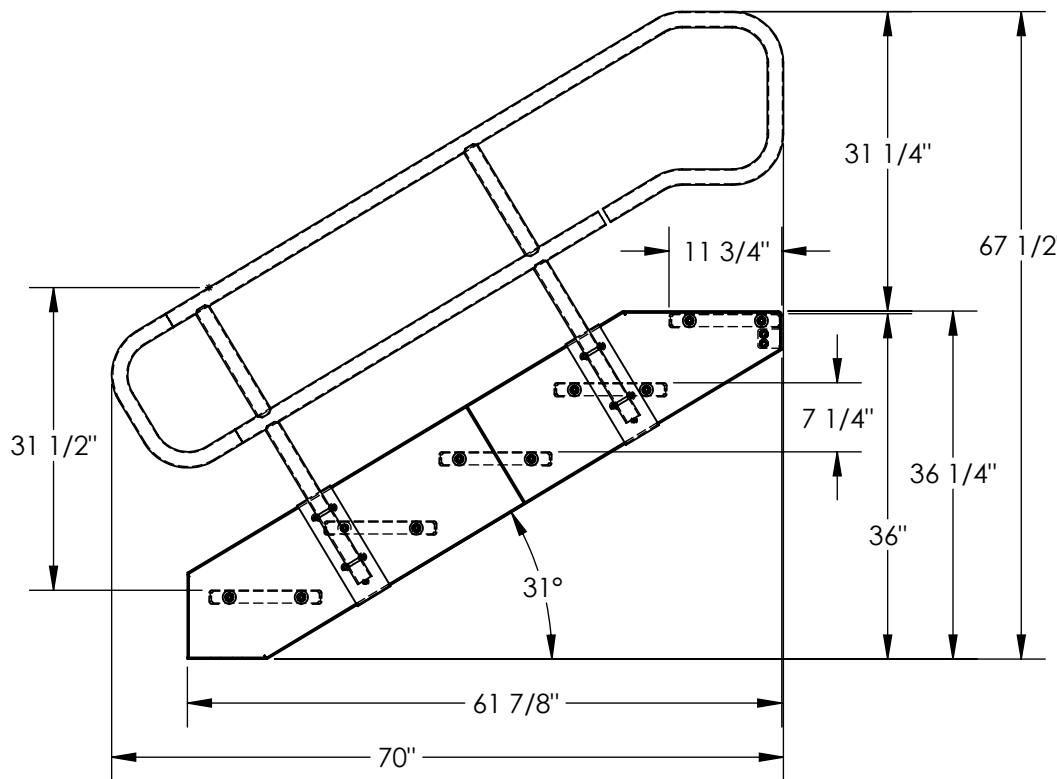
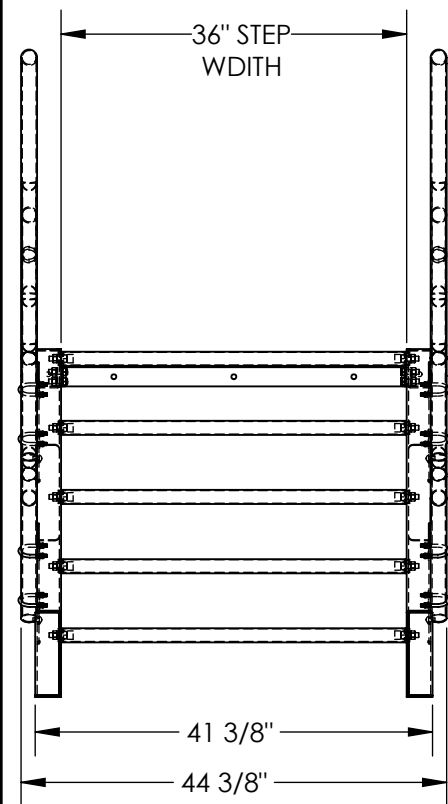


MODULAR STYLE STAIRWAY - STAIR-36

APPROX WEIGHT: 328.84 lbs.
DOES NOT INCLUDE WEIGHT OF POWER OR PACKAGING!!!

*** ANY ADDITIONS, DELETIONS, OR OMISSIONS MUST BE CORRECTED ON THIS DRAWING AS THIS DRAWING WILL BE CONSIDERED ALL INCLUSIVE ***
ALL GRAPHICS PROVIDED ARE FOR REFERENCE ONLY. IF CERTAIN DIMENSIONS ARE CRITICAL PLEASE VERIFY THOSE DIMENSIONS WITH YOUR SALESPERSON



STANDARD FEATURES

- MODEL NUMBER: STAIR-36
- MAX CAPACITY: 1,000 LBS.
- STANDARD STEP WIDTH: 36"
- STEP HEIGHT SPACING: 7 1/4"
- TOP STEP HEIGHT: 36"
- RUN DIMENSION: 61 7/8"
- OVERALL LENGTH: 70"
- TOUGH BAKED IN POWDER COATED BLUE & YELLOW FINISH
- STANDARD MODULAR DESIGN WITH BOLT-ON HANDRAIL
- UNIT SHIPS KNOCKED-DOWN (ASSEMBLY REQUIRED)
- TOP STEP IS FLUSH WITH THE LANDING
- STANDARD SERRATED STEEL STEP MATERIAL (7 1/4" DEEP x 36" WIDE)
- CLIMB ANGLE: 31° (APPROX.)

SPECIAL FEATURES

NONE

IT IS THE CUSTOMER'S RESPONSIBILITY TO MAKE SURE THAT THIS UNIT COMPLIES WITH ALL LOCAL SAFETY LAWS, CODES AND REGULATIONS

FOR INTERNAL USE ONLY
PROJECT SIGN OFF

SALES	
ENG.	
FAB.	
POWER	

APPROVAL

I, THE UNDERSIGNED, AGREE THAT THE PRODUCT AS REPRESENTED SATISFIES DESIGN AND DIMENSION REQUIREMENTS. I ALSO ACKNOWLEDGE MY DUTY TO CONFIRM PRODUCT AND INSTALLATION COMPLIANCE WITH ALL APPLICABLE FEDERAL, STATE AND LOCAL REGULATIONS AND STANDARDS.
UNITS REQUIRING APPROVAL DRAWINGS OR MODIFIED ARE NON-RETURNABLE
[] As drawn [] As marked

Signed: _____ Date: _____

Printed Name: _____

LEAD TIME WILL START UPON RECEIPT OF SIGNED APPROVAL DRAWING

DISTRIBUTOR'S NAME: VESTIL MANUFACTURING		P.O.# X
DRAWN BY: X		W.O.# X
DATE: XX/XX/XX	SALES: X	FILE NAME: STAIR-36
REFERENCE: X	SCALE: 1:20	
QUOTED LEAD TIME: X	QUOTE # X	