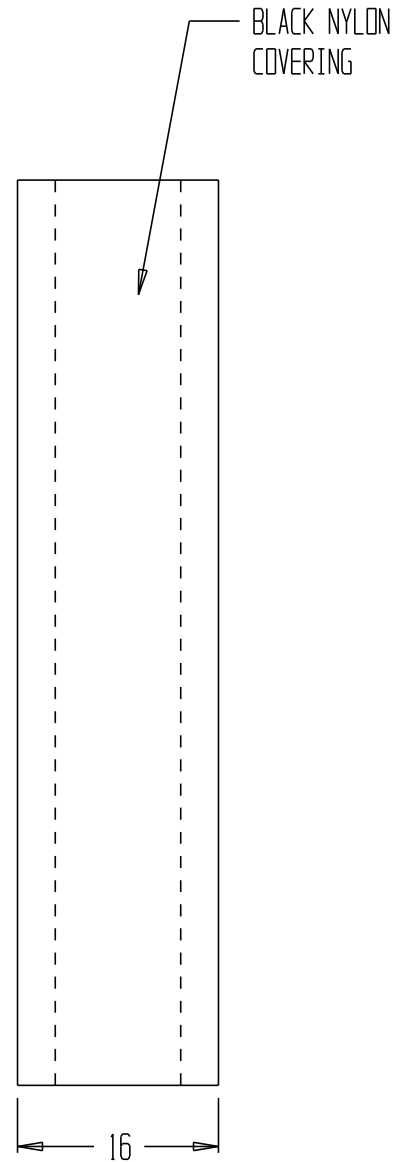
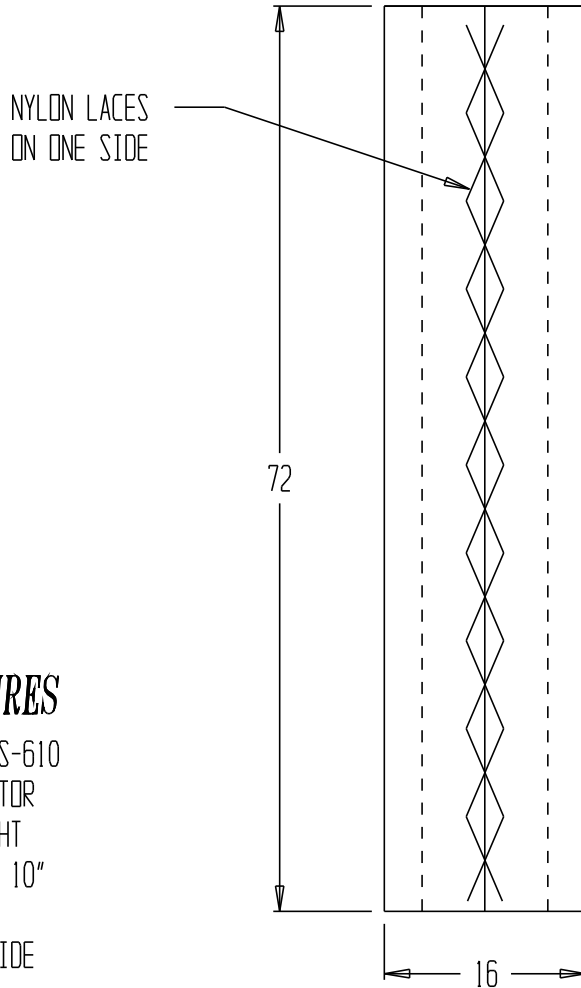
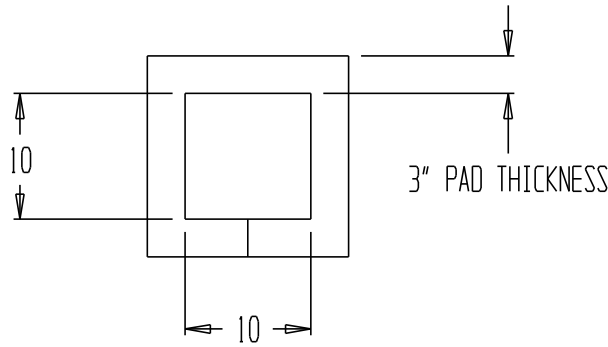


STRUCTURAL COLUMN PAD - V-PAD-S-610



STANDARD FEATURES

- MODEL NUMBER: V-PAD-S-610
- SQUARE COLUMN PROTECTOR
- 72" OVERALL PAD HEIGHT
- COLUMN SIZE IS 10" x 10"
- ONE PIECE DESIGN
- NYLON LACES ON ONE SIDE
- 3" PAD THICKNESS
- BLACK NYLON COVERING

SPECIAL FEATURES

-

Any additions, deletions or omissions must be corrected on this drawing, as this drawing will be considered all inclusive.

All graphics provided are for reference only. If certain dimensions are critical please verify those dimensions with your salesperson

FOR INTERNAL USE ONLY PROJECT SIGN OFF	
SALES	
ENG	
FAB.	
POWER	

A P P R O V A L	I, THE UNDERSIGNED, AGREE THAT THE PRODUCT AS REPRESENTED SATISFIES DESIGN & DIMENSION REQUIREMENTS. I ALSO ACKNOWLEDGE MY DUTY TO CONFIRM PRODUCT & INSTALLATION COMPLIANCE WITH ALL APPLICABLE FEDERAL, STATE AND LOCAL REGULATIONS & STANDARDS.	
	ANY MODIFIED UNITS ARE NON-RETURNABLE	
	[] As drawn [] As marked	
	Signed: _____ Date: _____	
	Printed Name: _____	
LEAD TIME WILL START UPON RECEIPT OF SIGNED APPROVAL DRAWING		

DISTRIBUTOR'S NAME: -		P.O.#: -
		W.O.#: -
DRAWN BY: BB	DATE: 2/25/14	SALES: -
REFERENCE: -	SCALE: 1:16	DRWG./FILE NAME:
QUOTED LEADTIME: -	QUOTE #: -	V-PAD-S-610